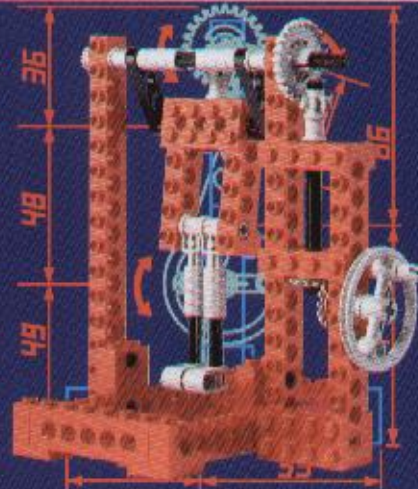
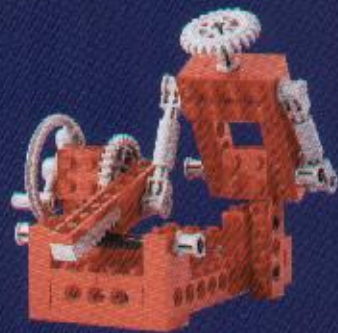
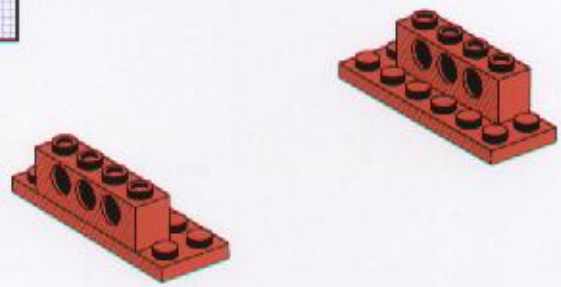
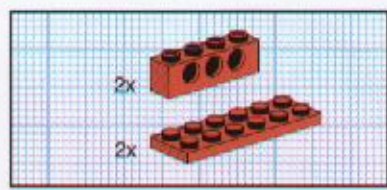
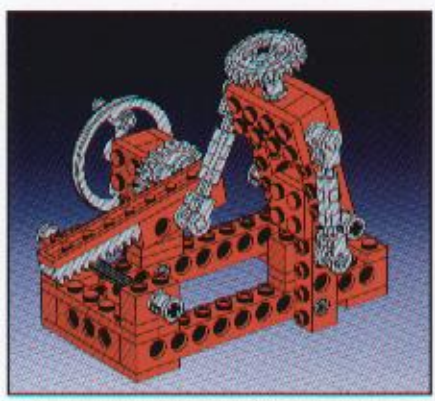
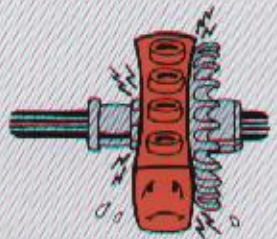
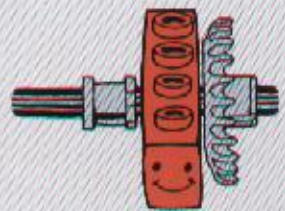
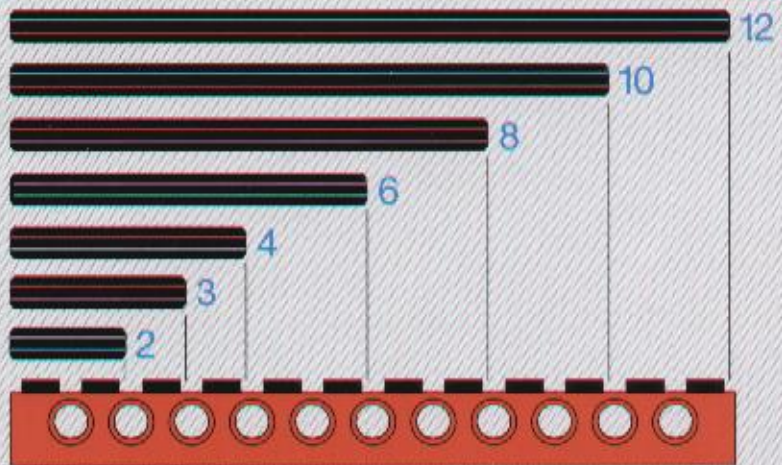


# LEGO Technic

8032

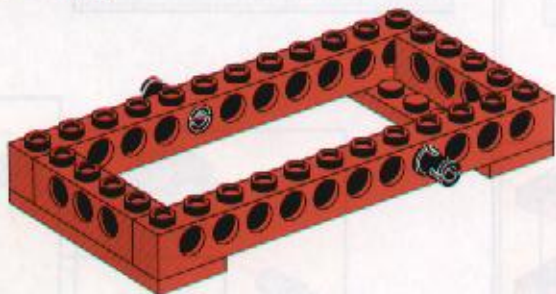




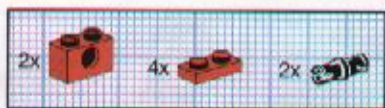
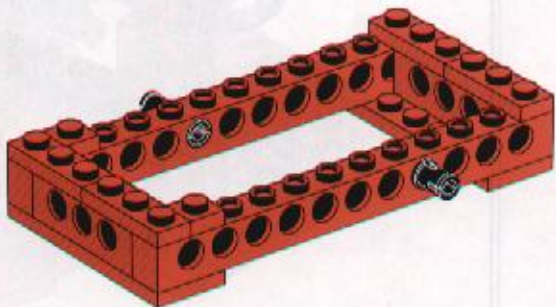




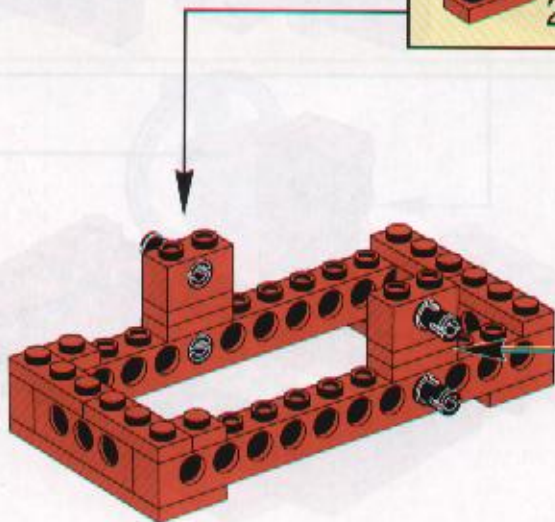
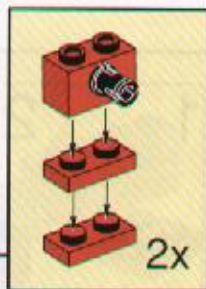
2

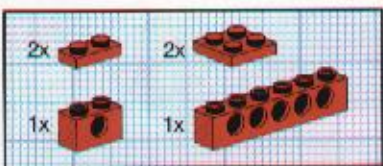


3

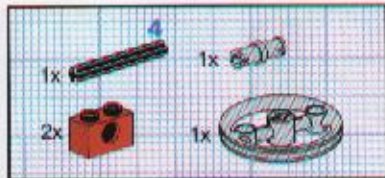


4

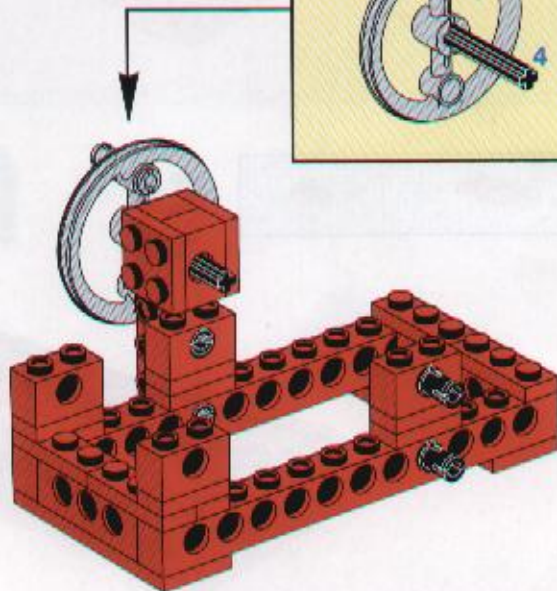
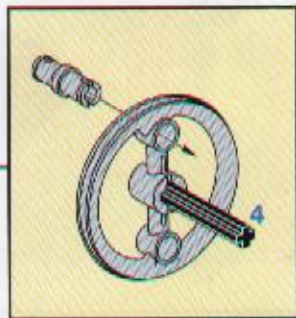
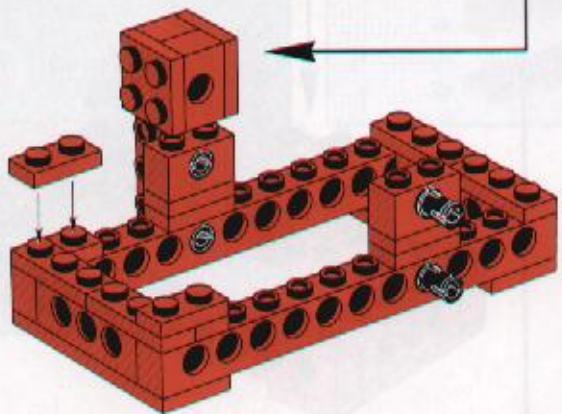
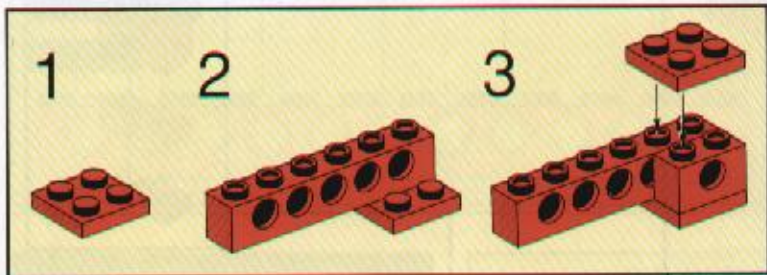




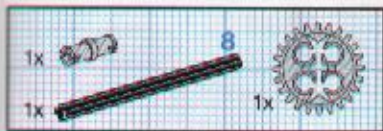
5



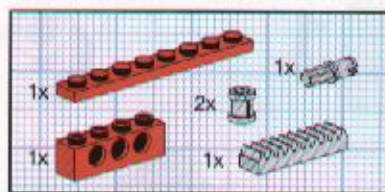
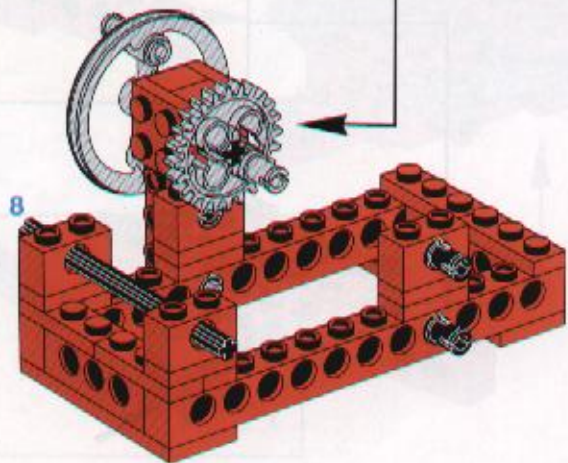
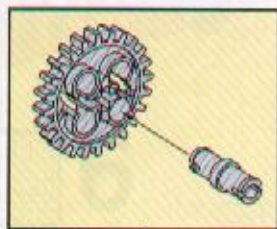
6



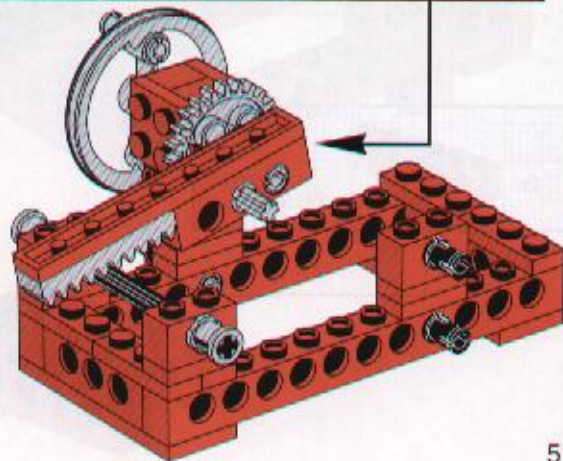
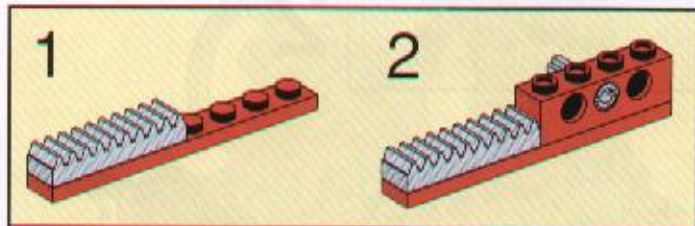


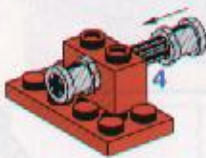
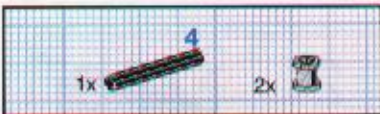
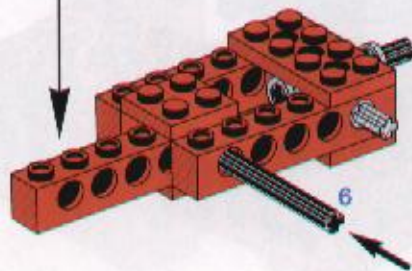
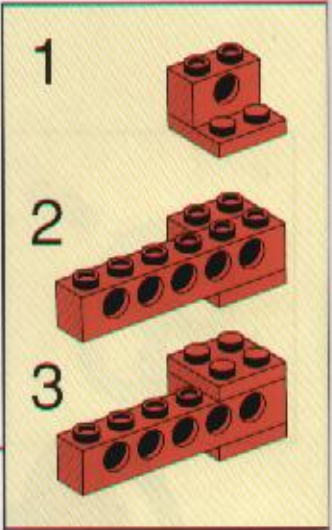
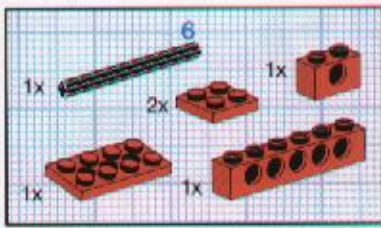


7

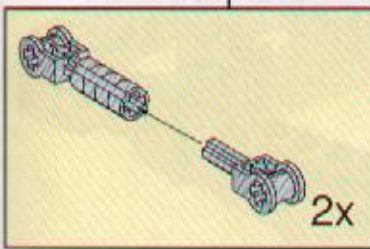
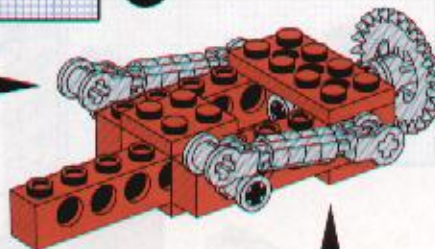
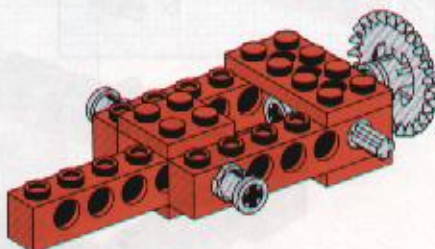


8

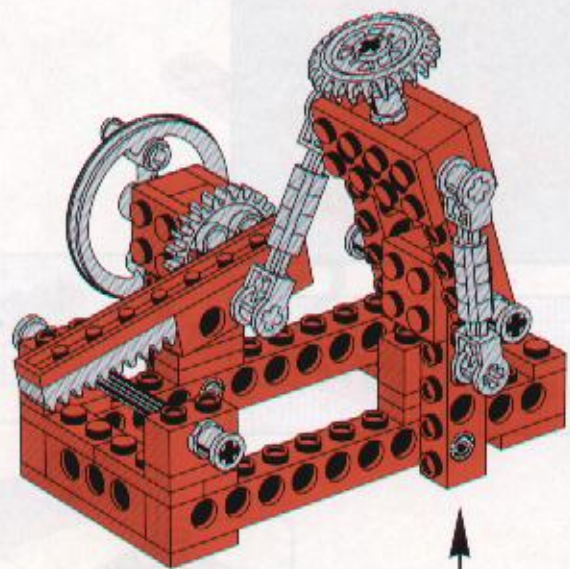


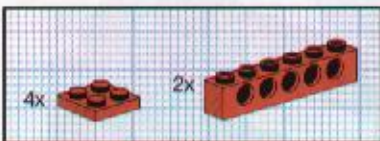
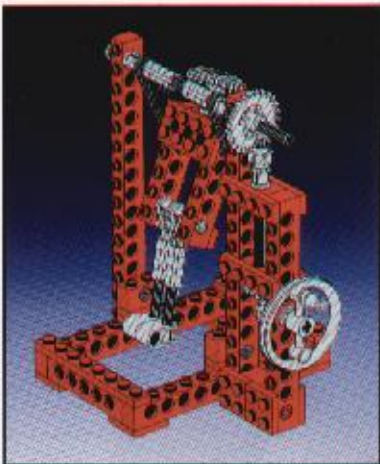
**1****2****3****4**



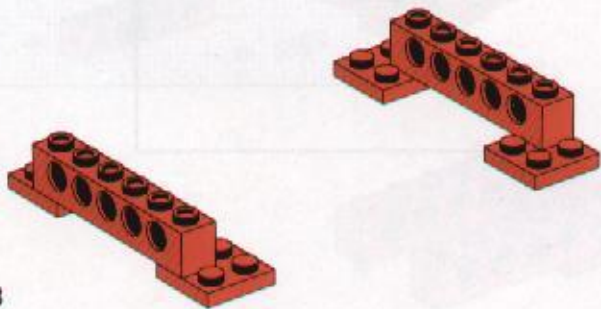


**9**

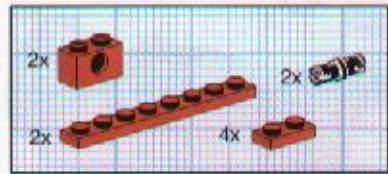
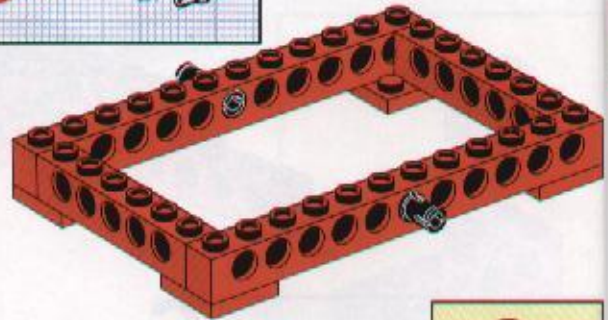




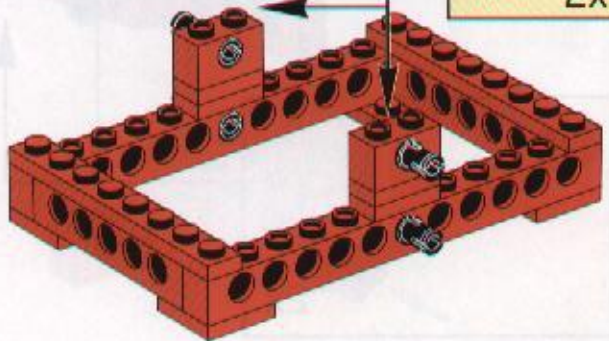
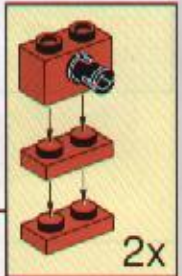
1



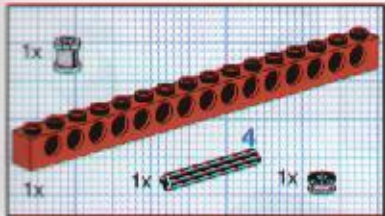
2



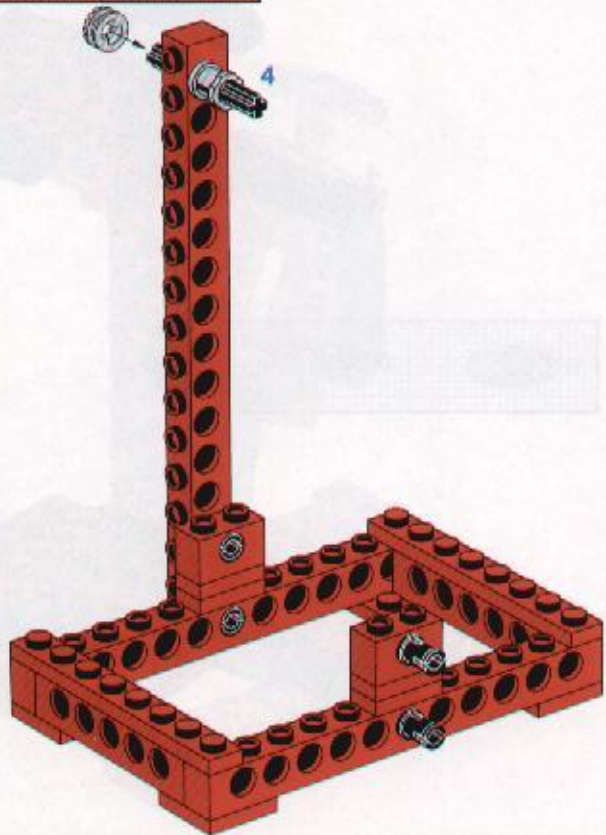
3







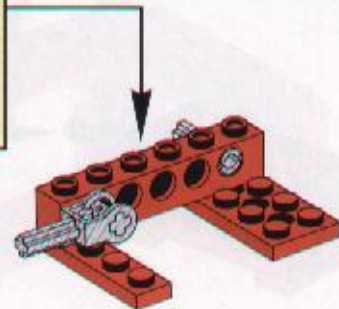
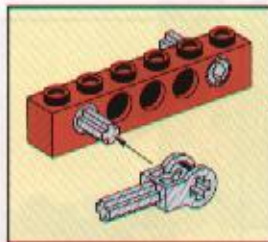
4



1

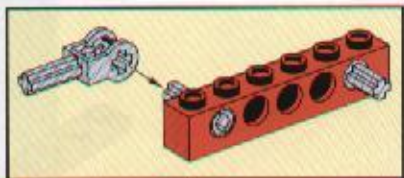


2

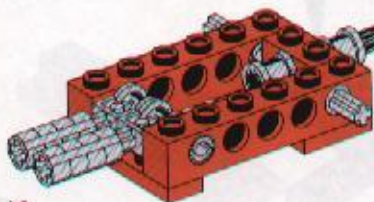
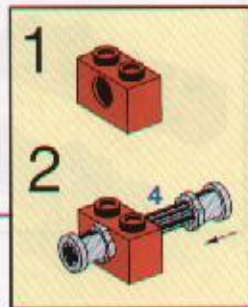




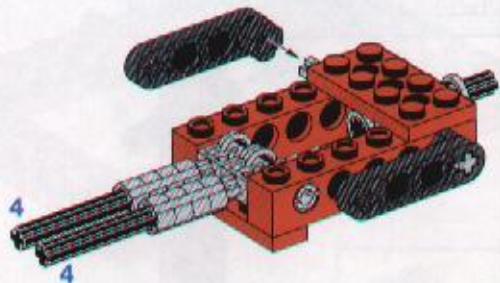
3



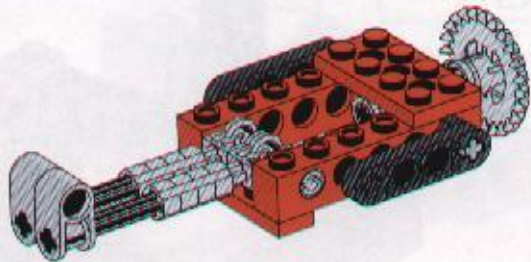
4



5

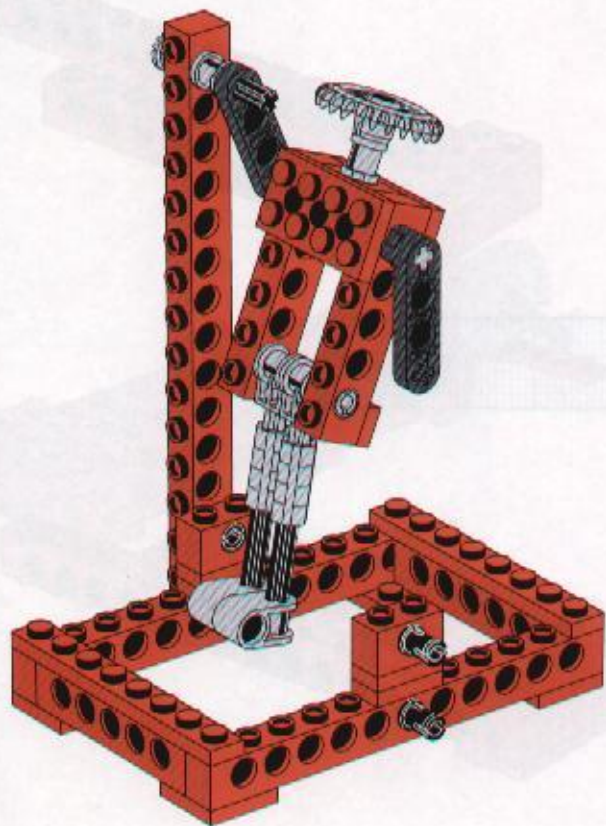


6

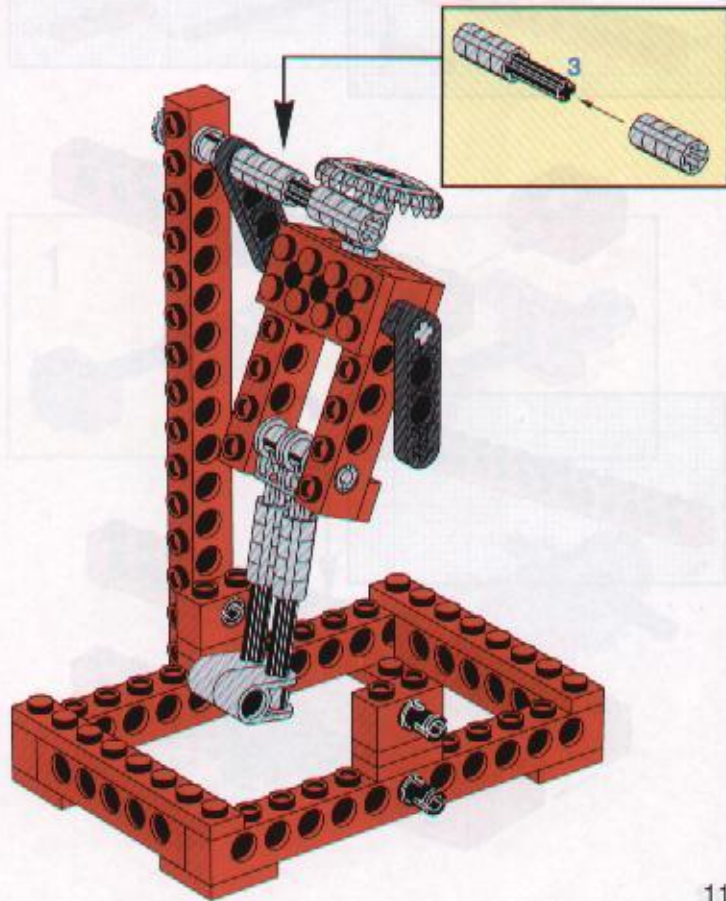


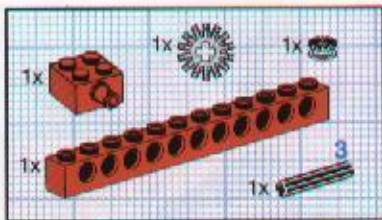


# 5

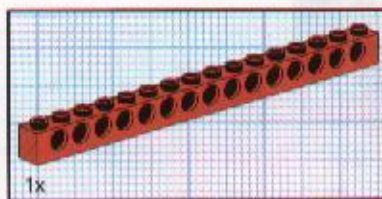


# 6

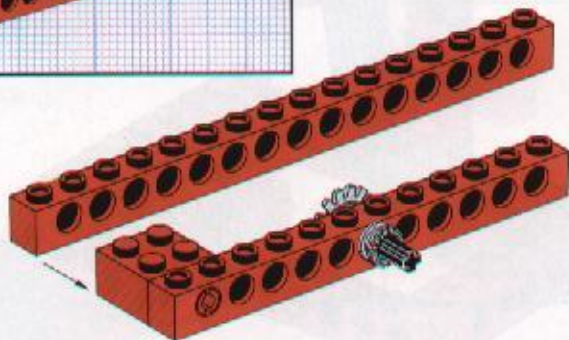




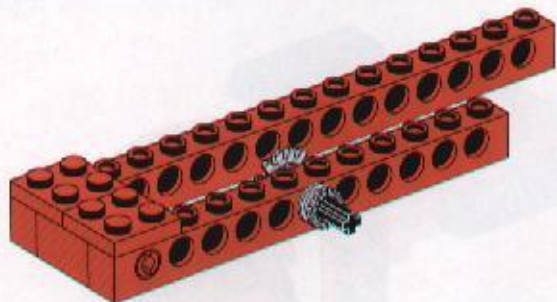
1



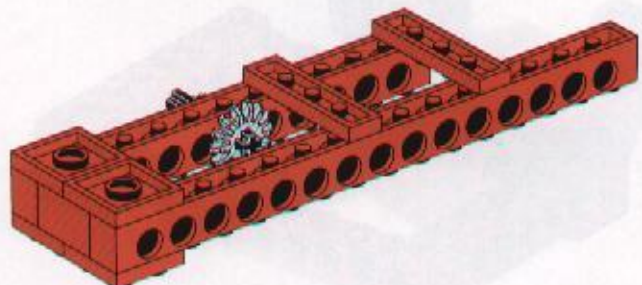
2



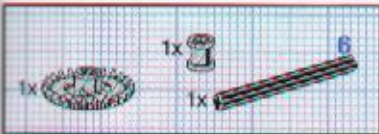
3



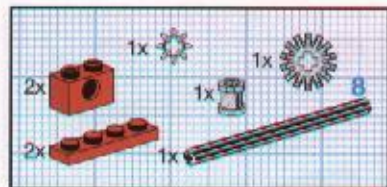
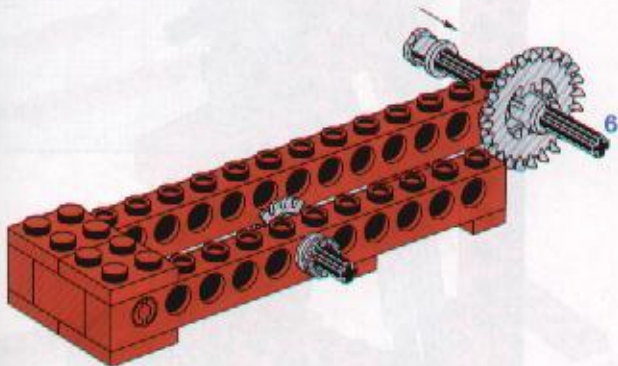
4



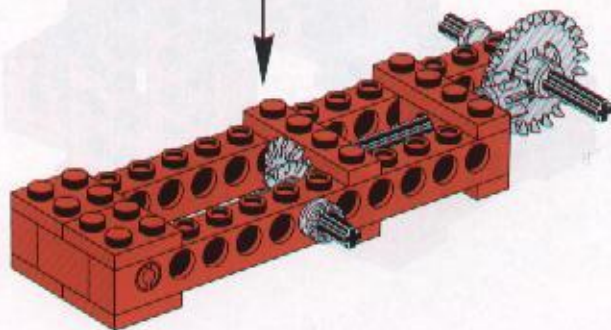
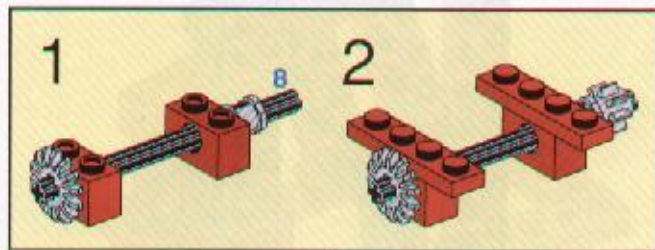




5

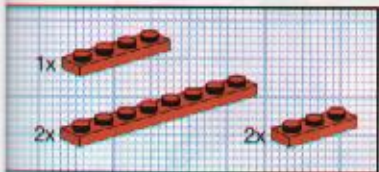
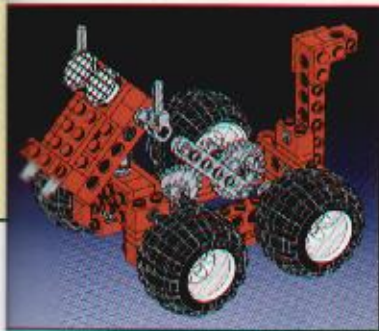


6

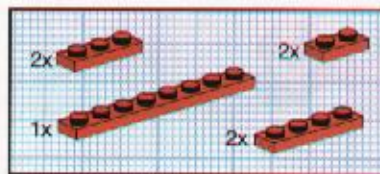
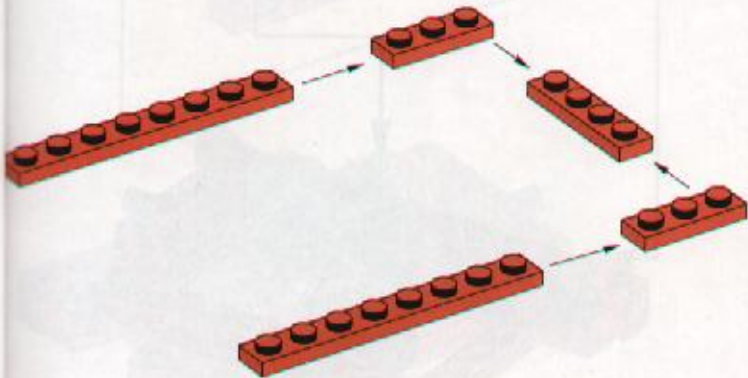




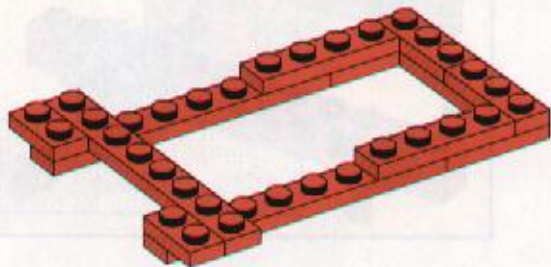


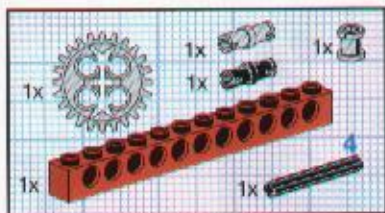


1

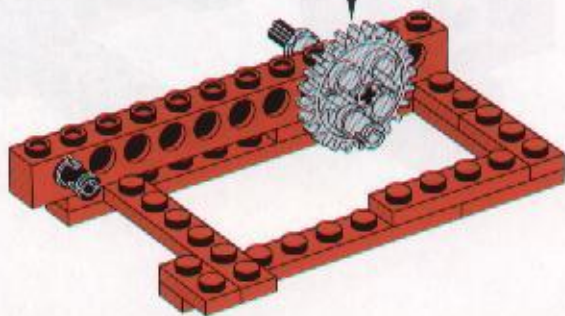
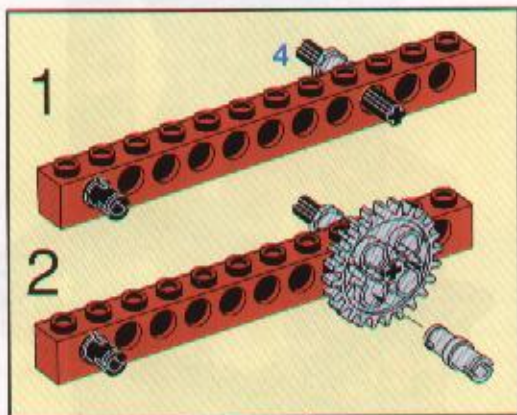


2

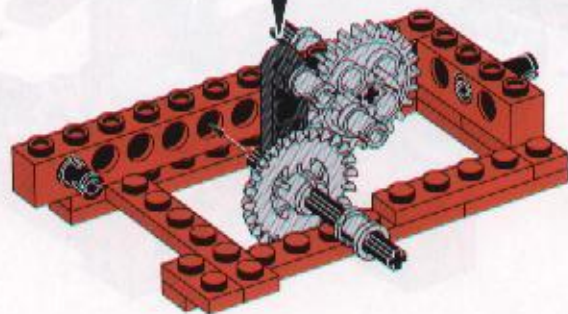
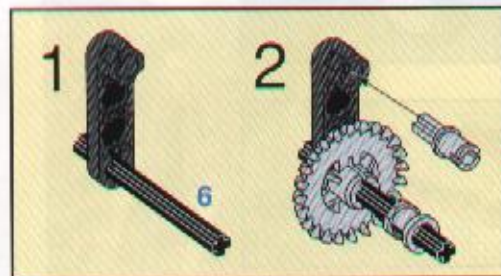




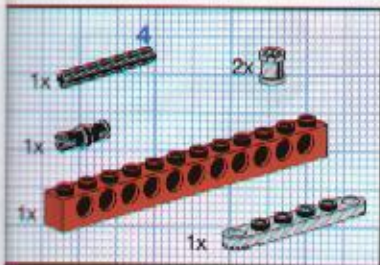
3



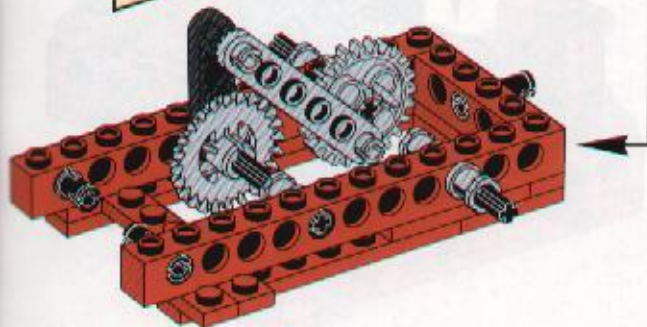
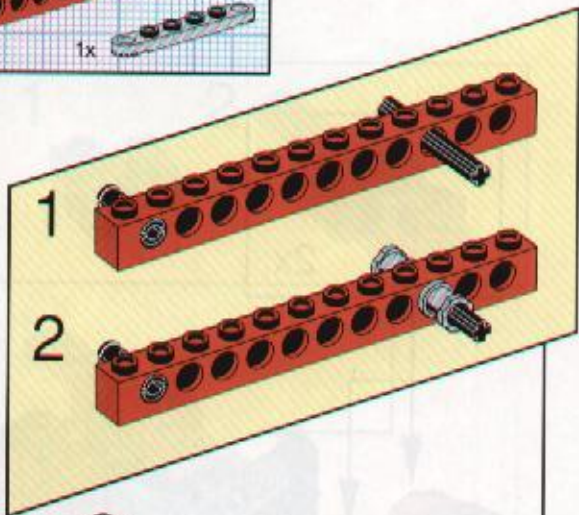
4



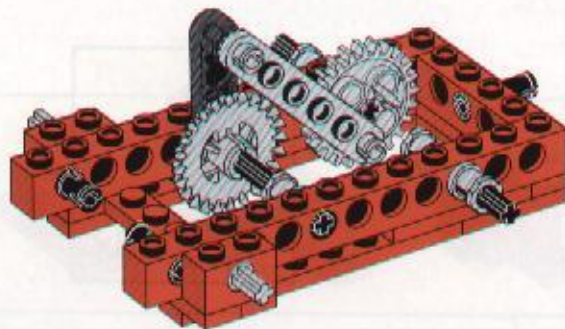




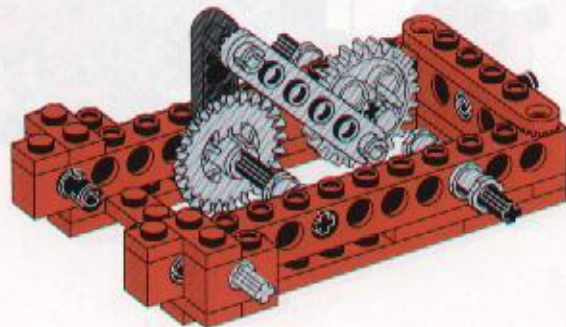
# 5

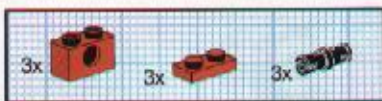


# 6

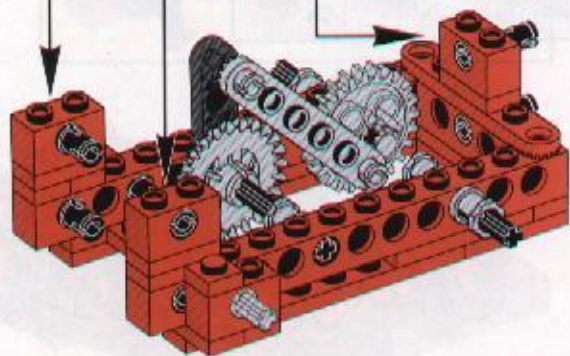
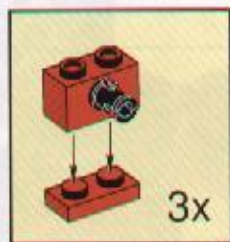


# 7

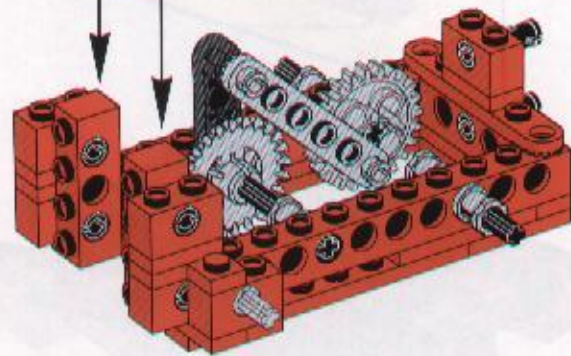
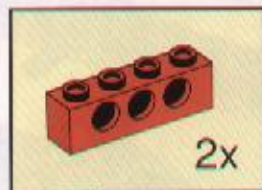




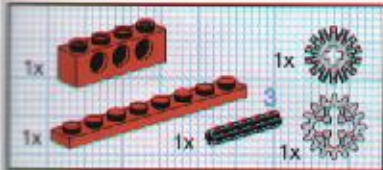
8



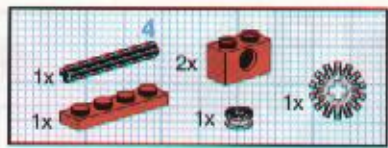
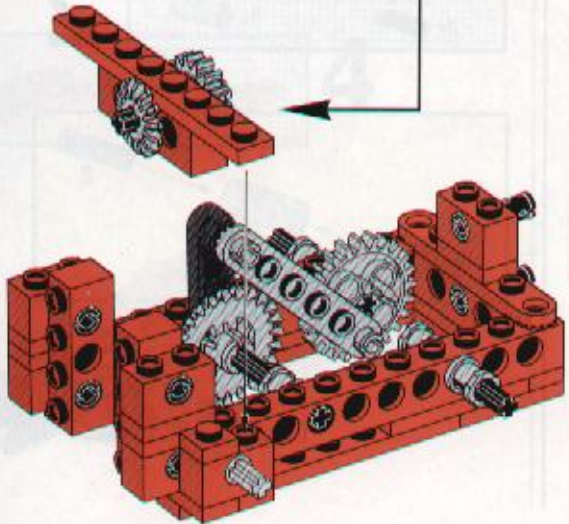
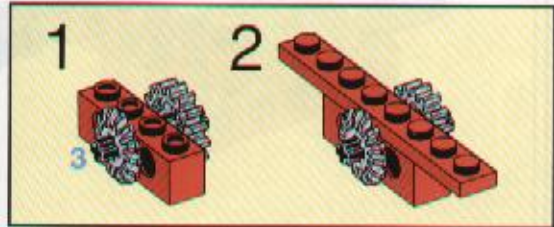
9



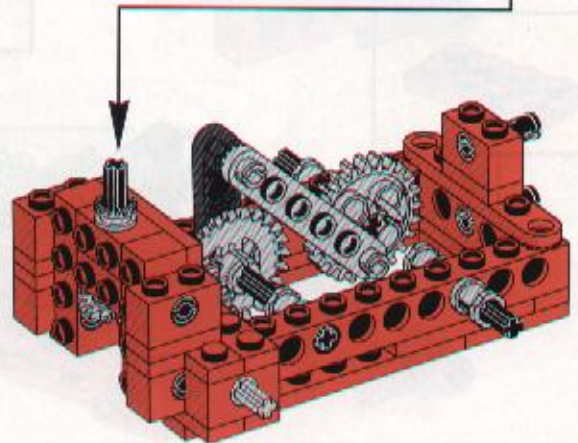
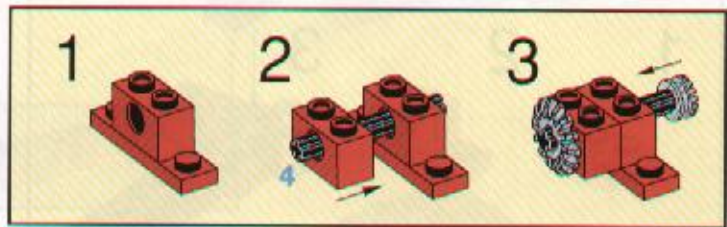


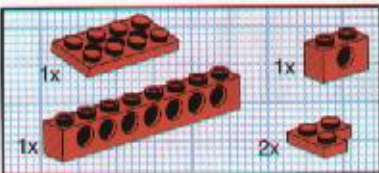


# 10

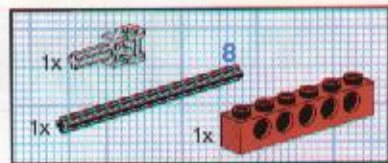
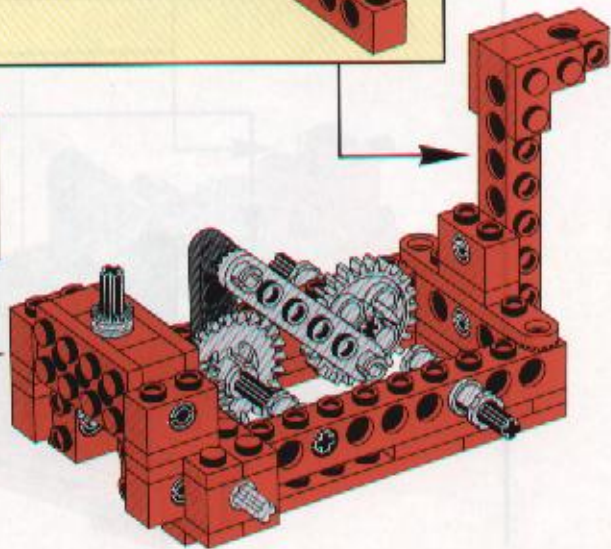
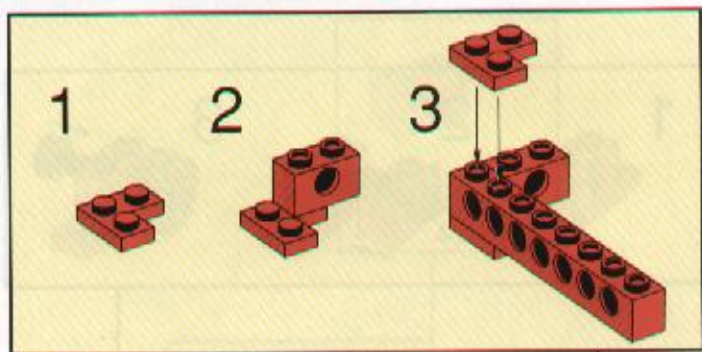


# 11

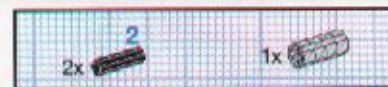




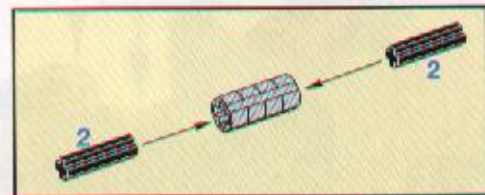
# 12



# 1



# 2







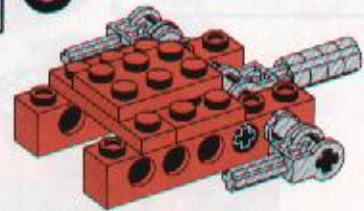
3



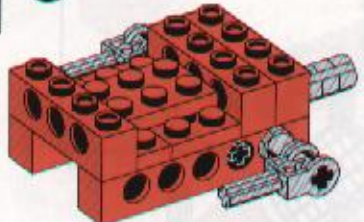
4



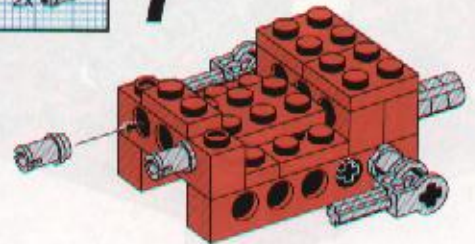
5



6



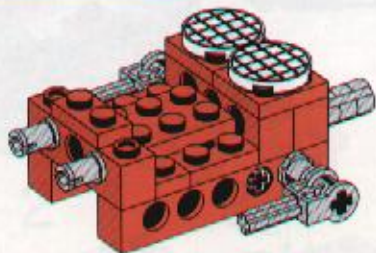
7



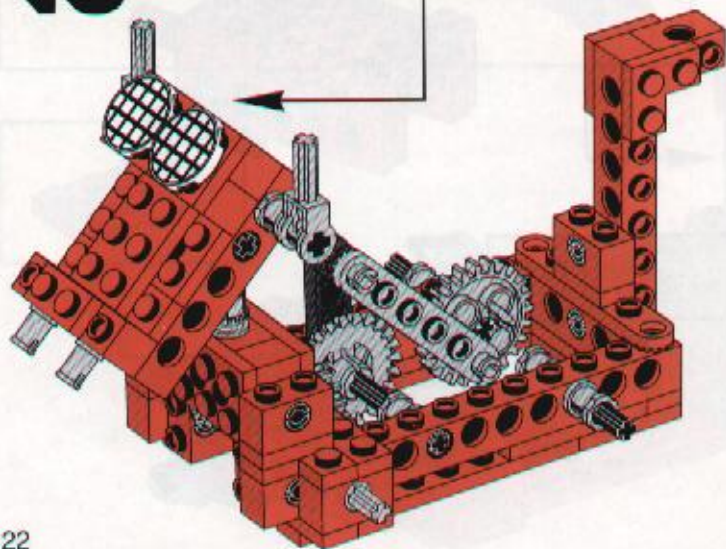
2x



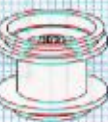
8



13

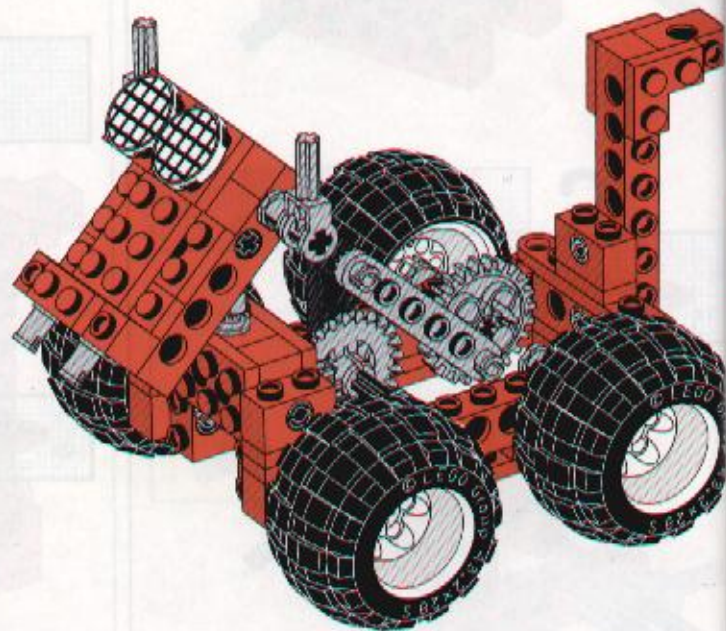


4x

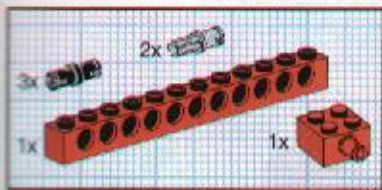
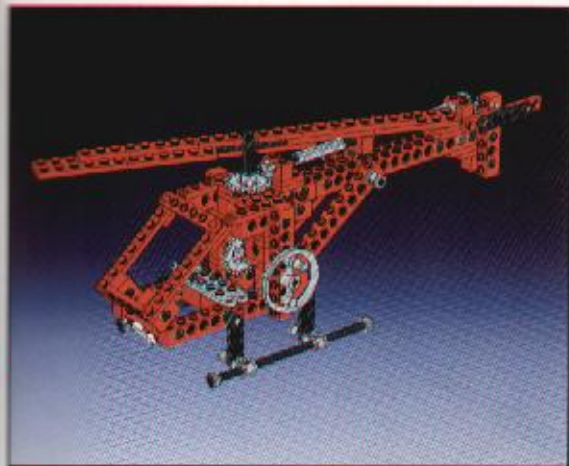


4x

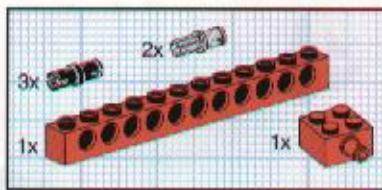
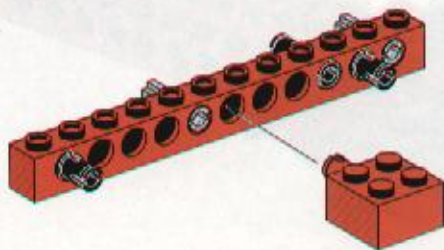
14



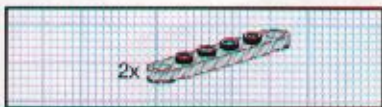
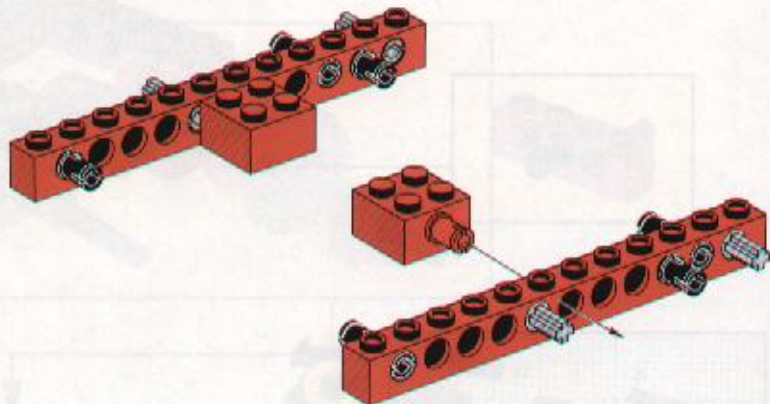




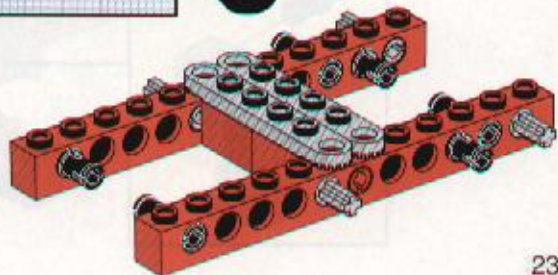
1



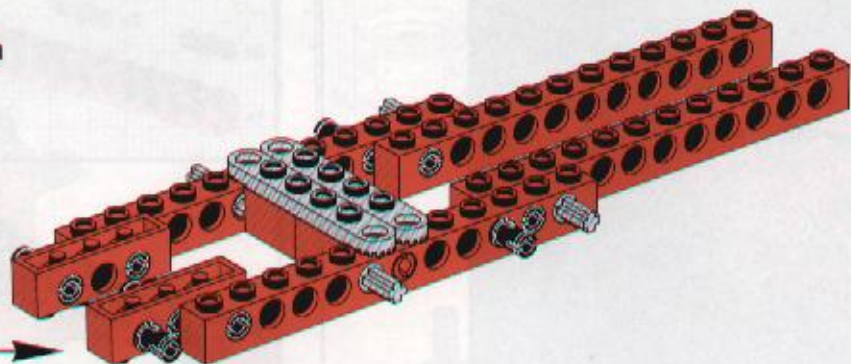
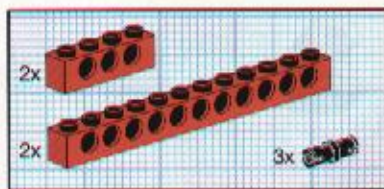
2



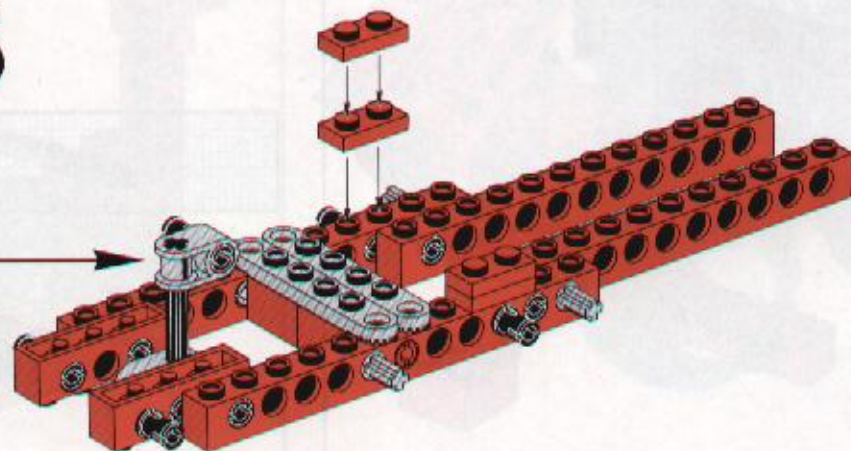
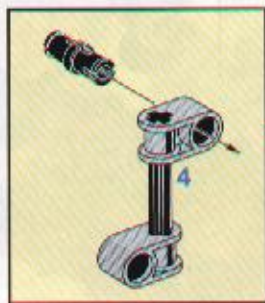
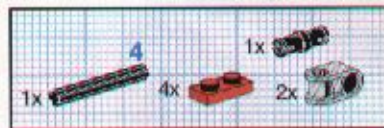
3



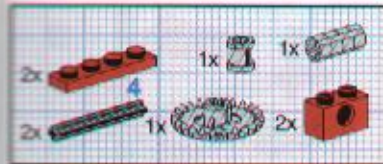
# 4



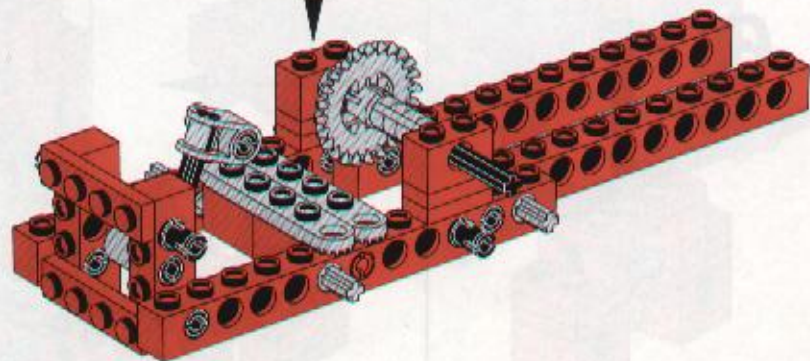
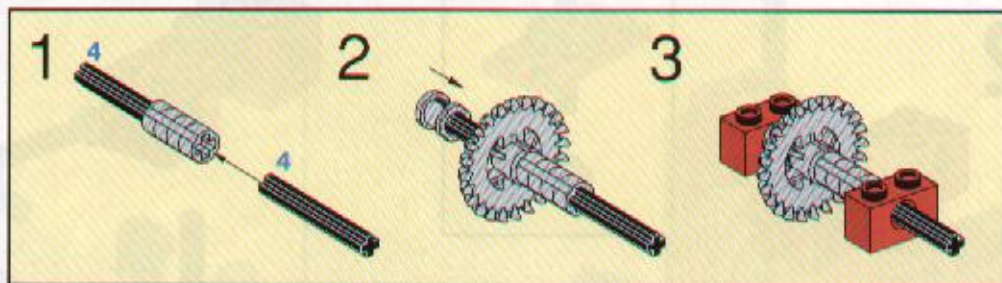
# 5

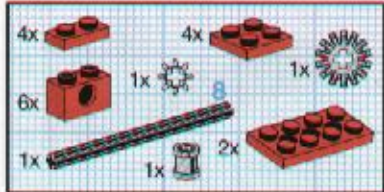






6



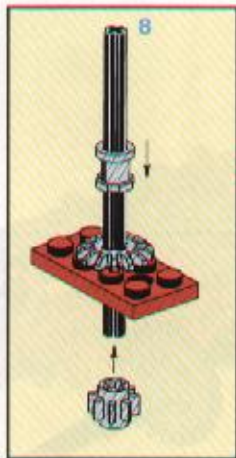
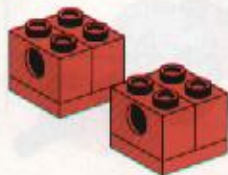


**7**

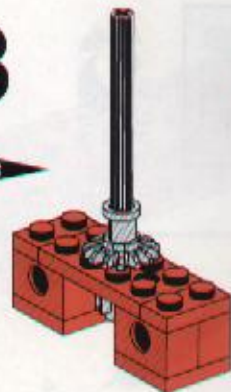
**1**



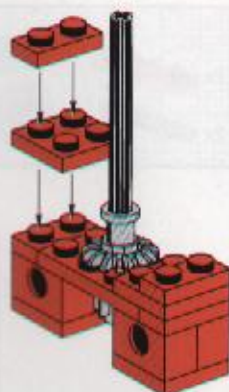
**2**



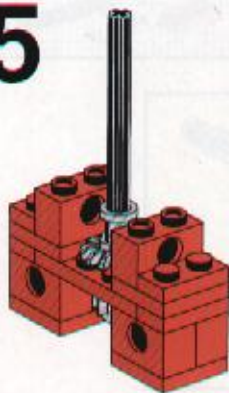
**3**



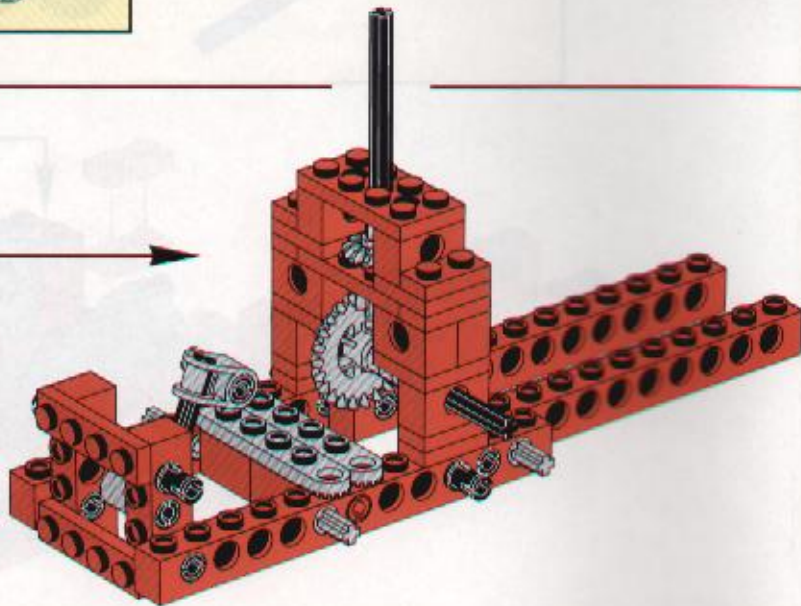
**4**



**5**

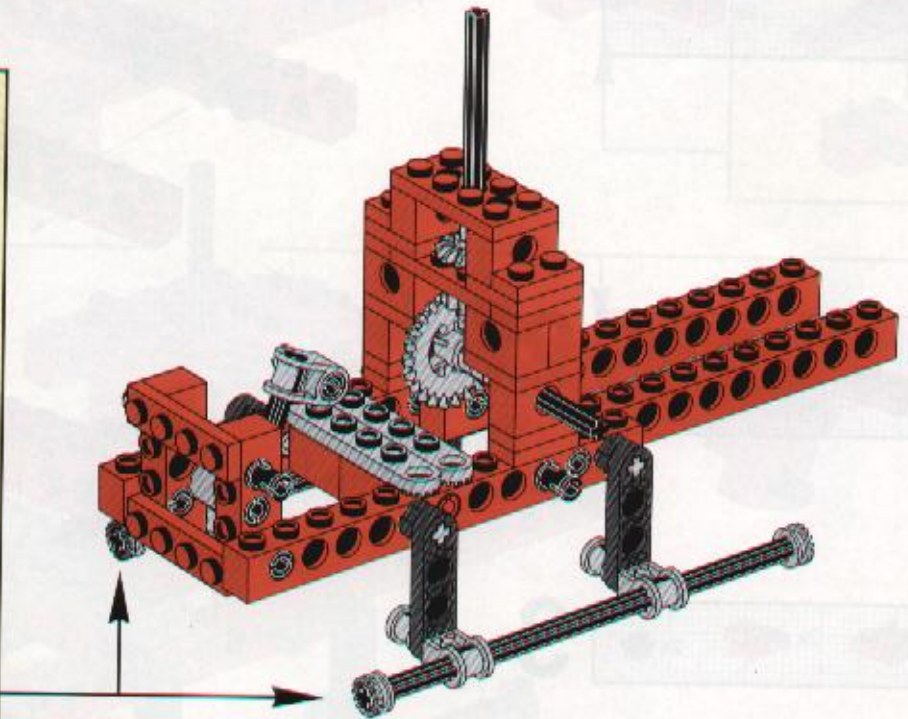
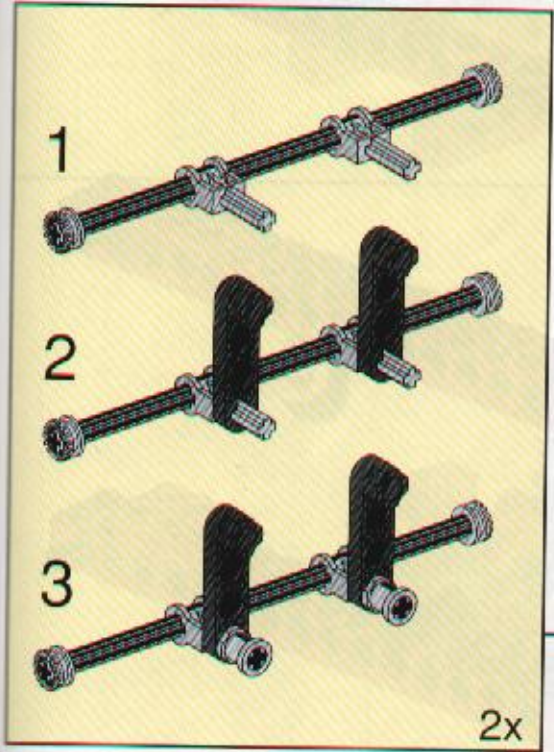
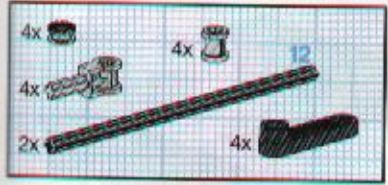


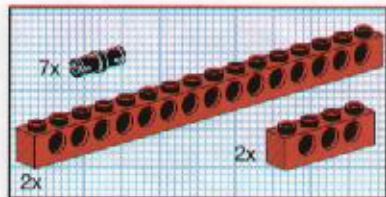
**6**



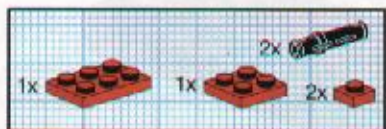
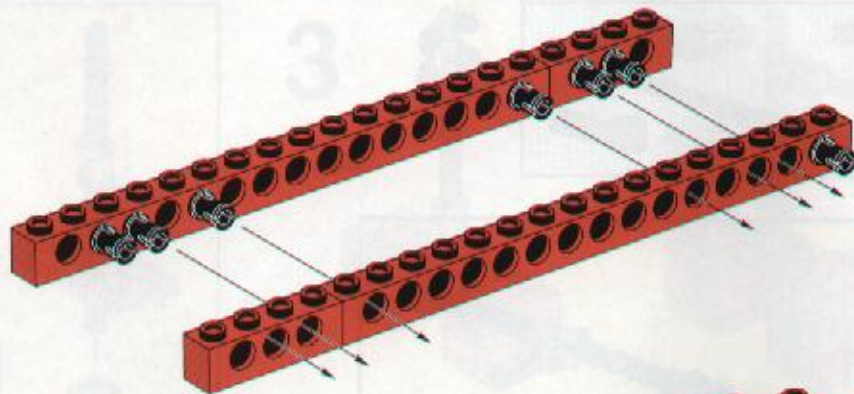


8

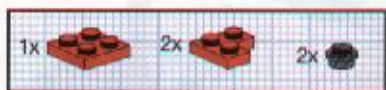
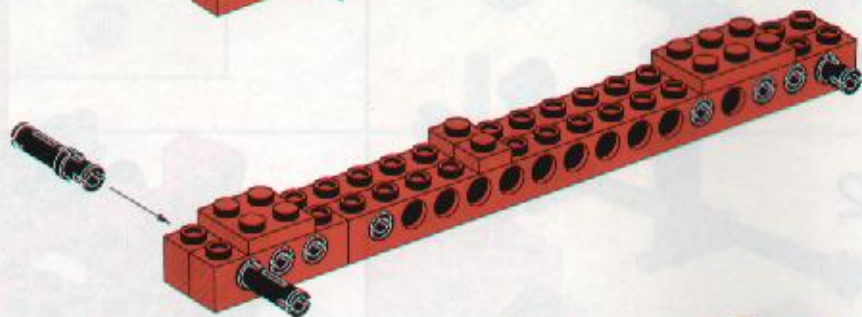




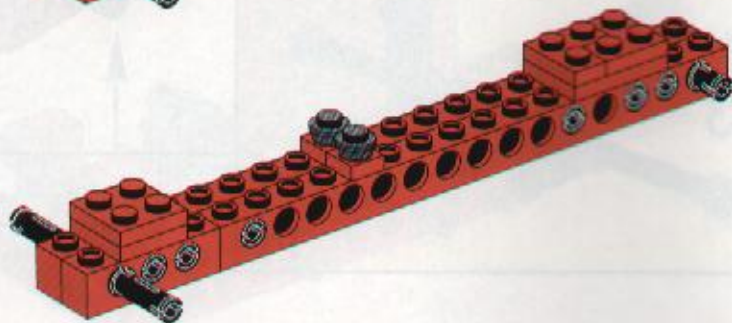
1



2

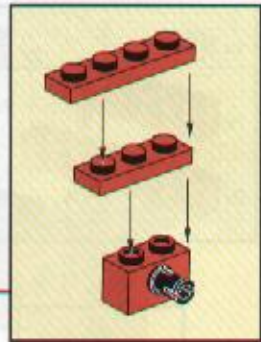
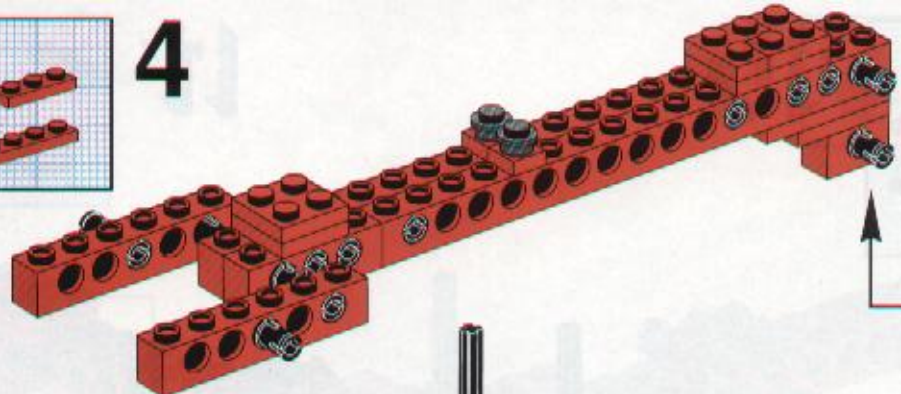
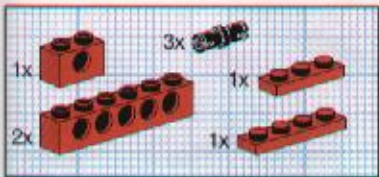


3

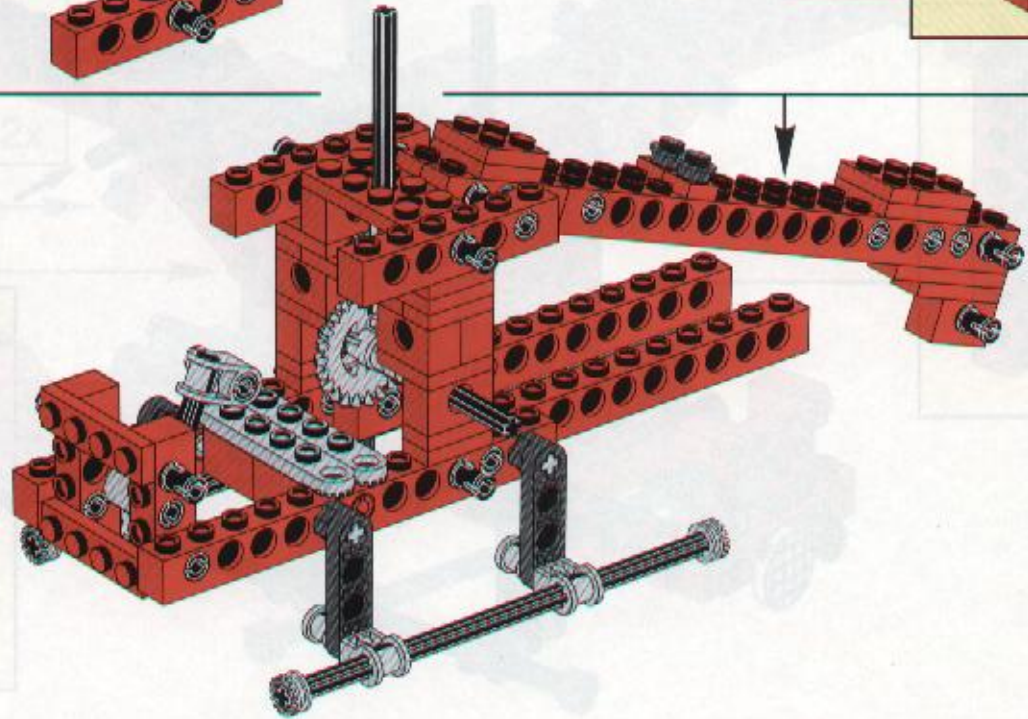




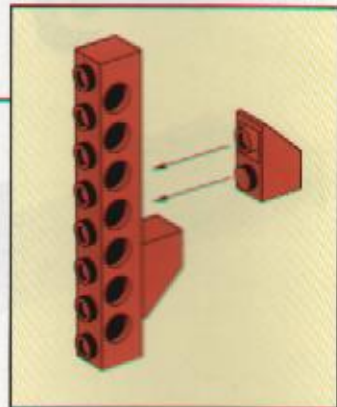
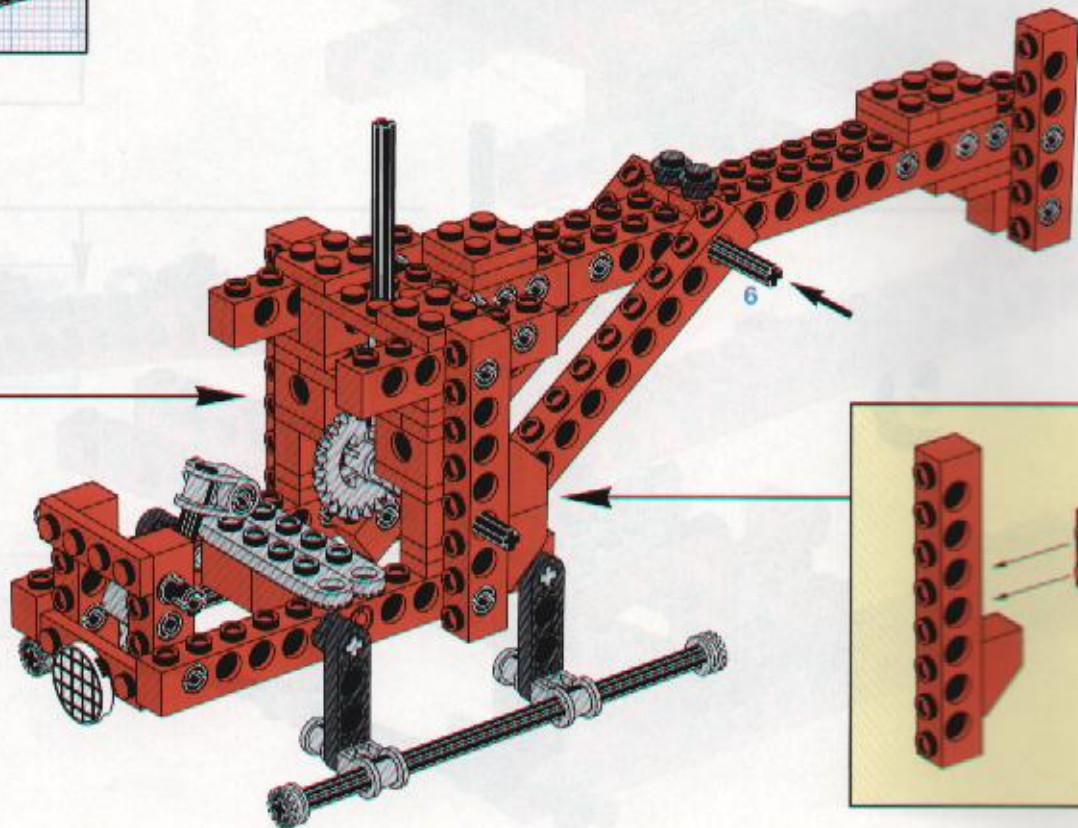
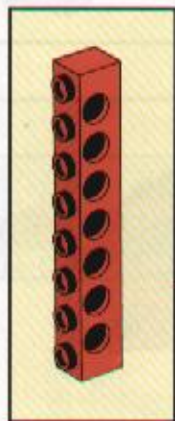
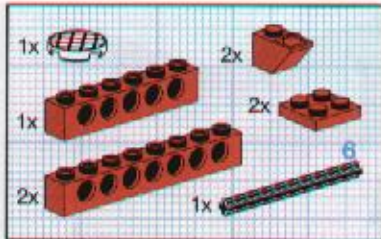
# 4



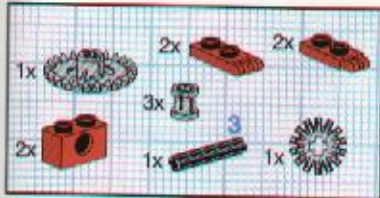
# 9



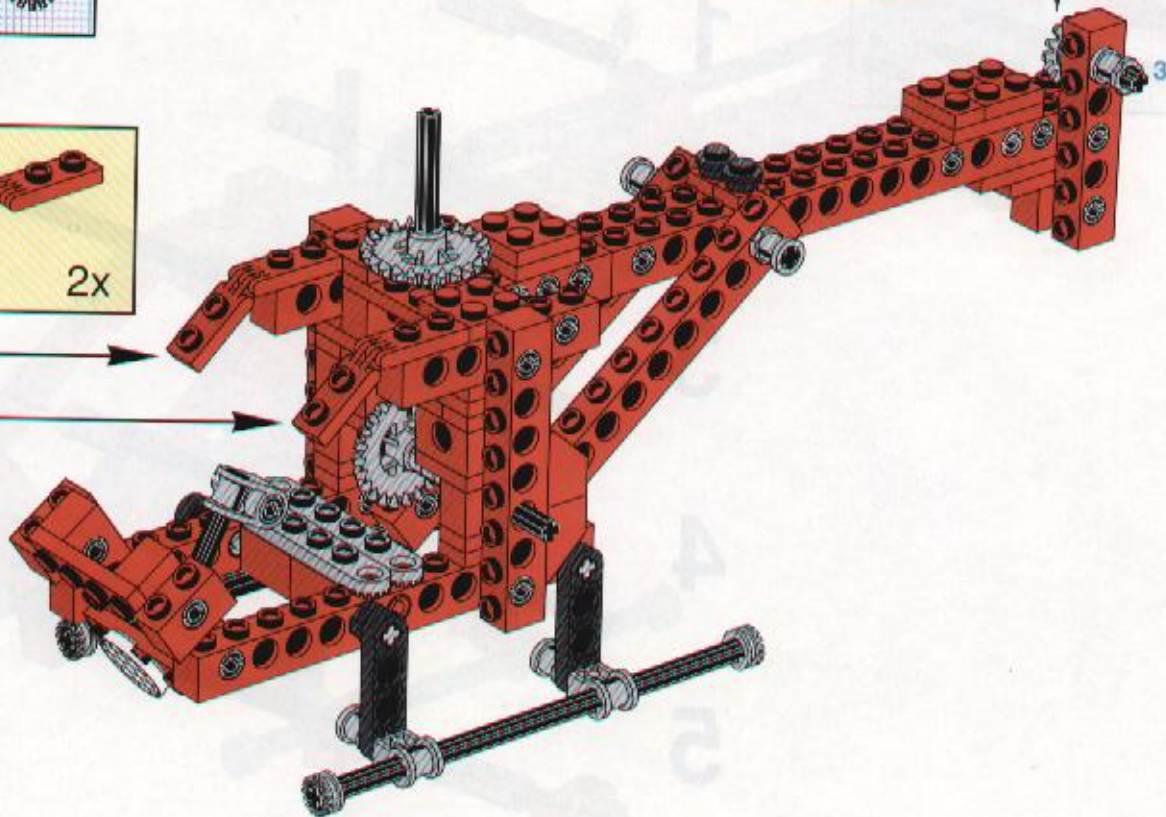
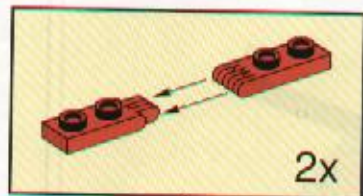
# 10





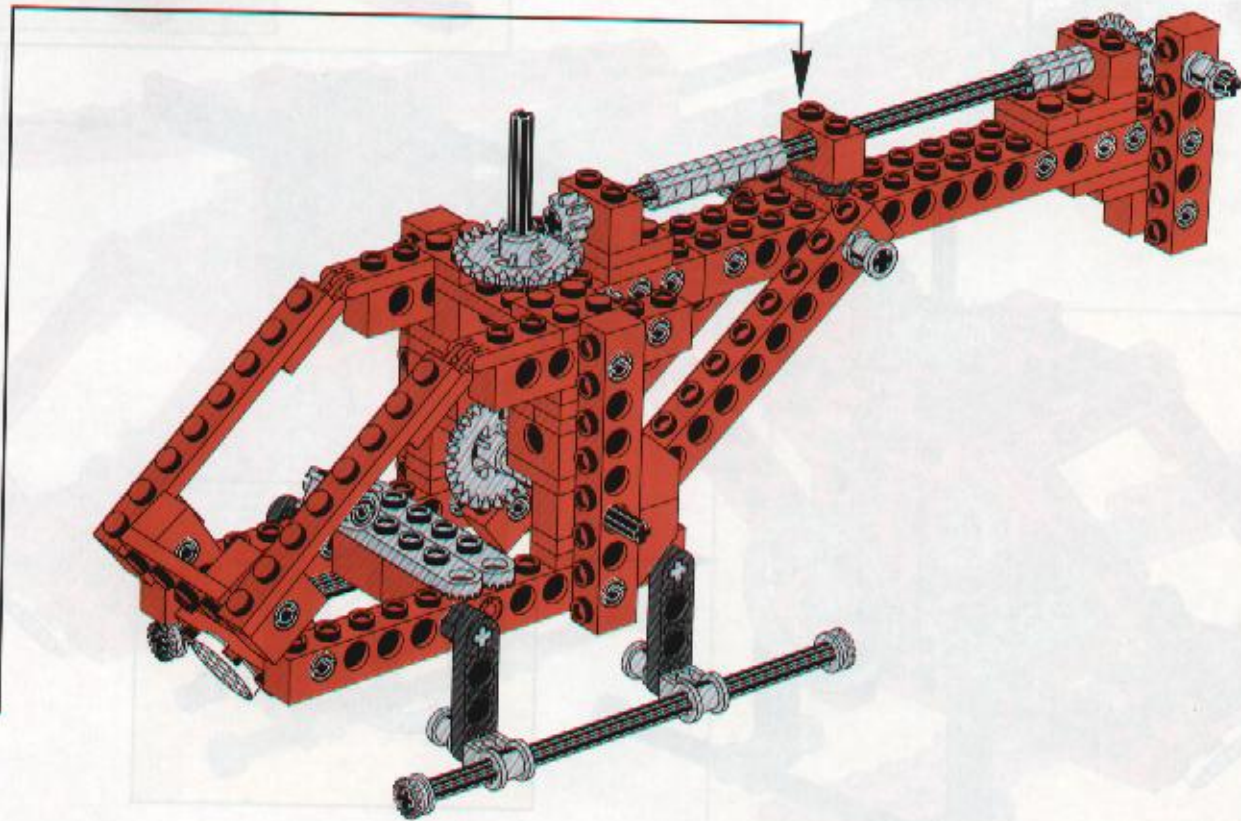


11

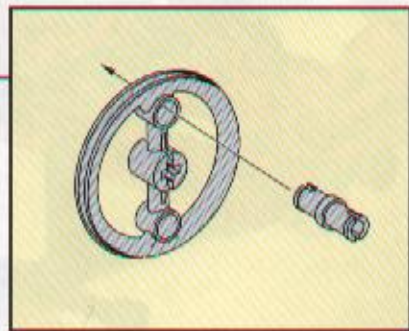
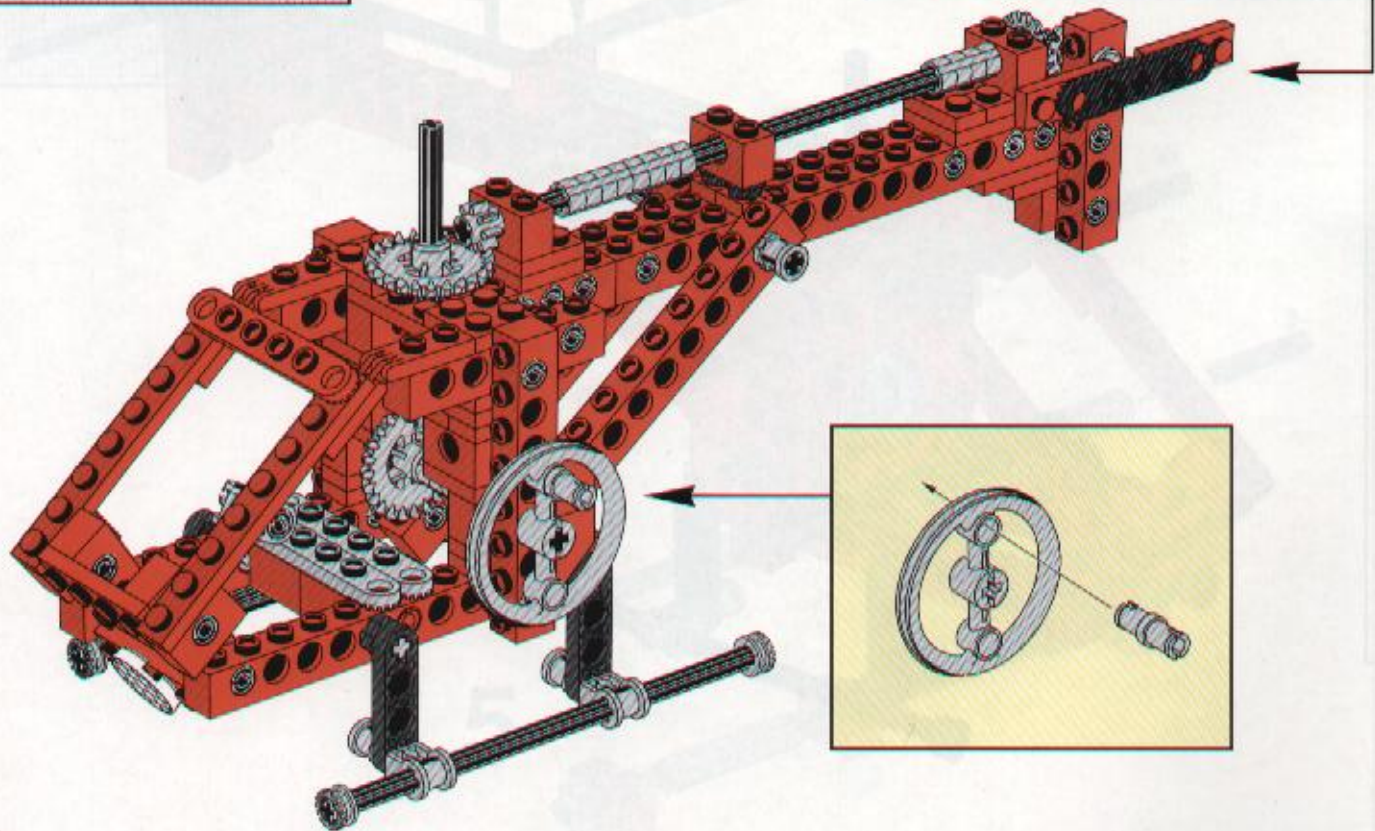
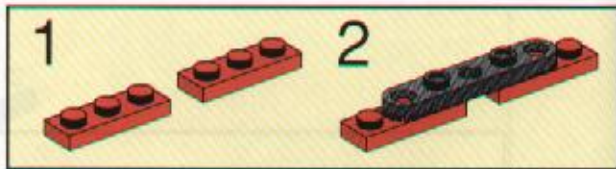
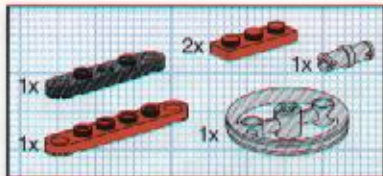






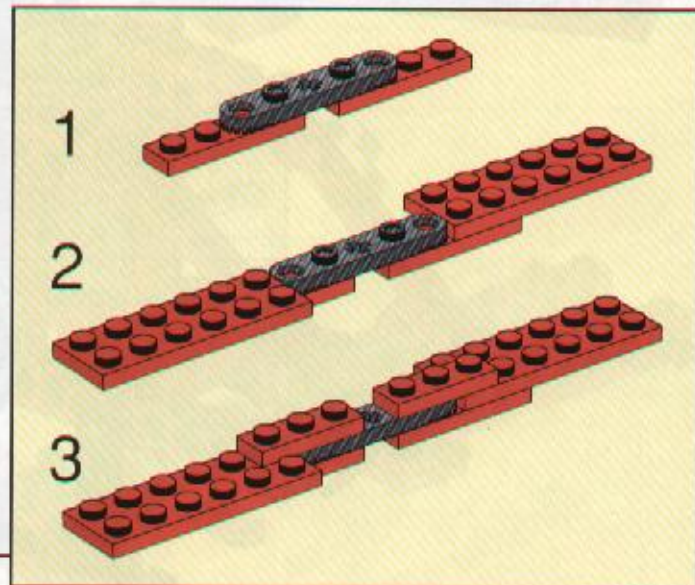
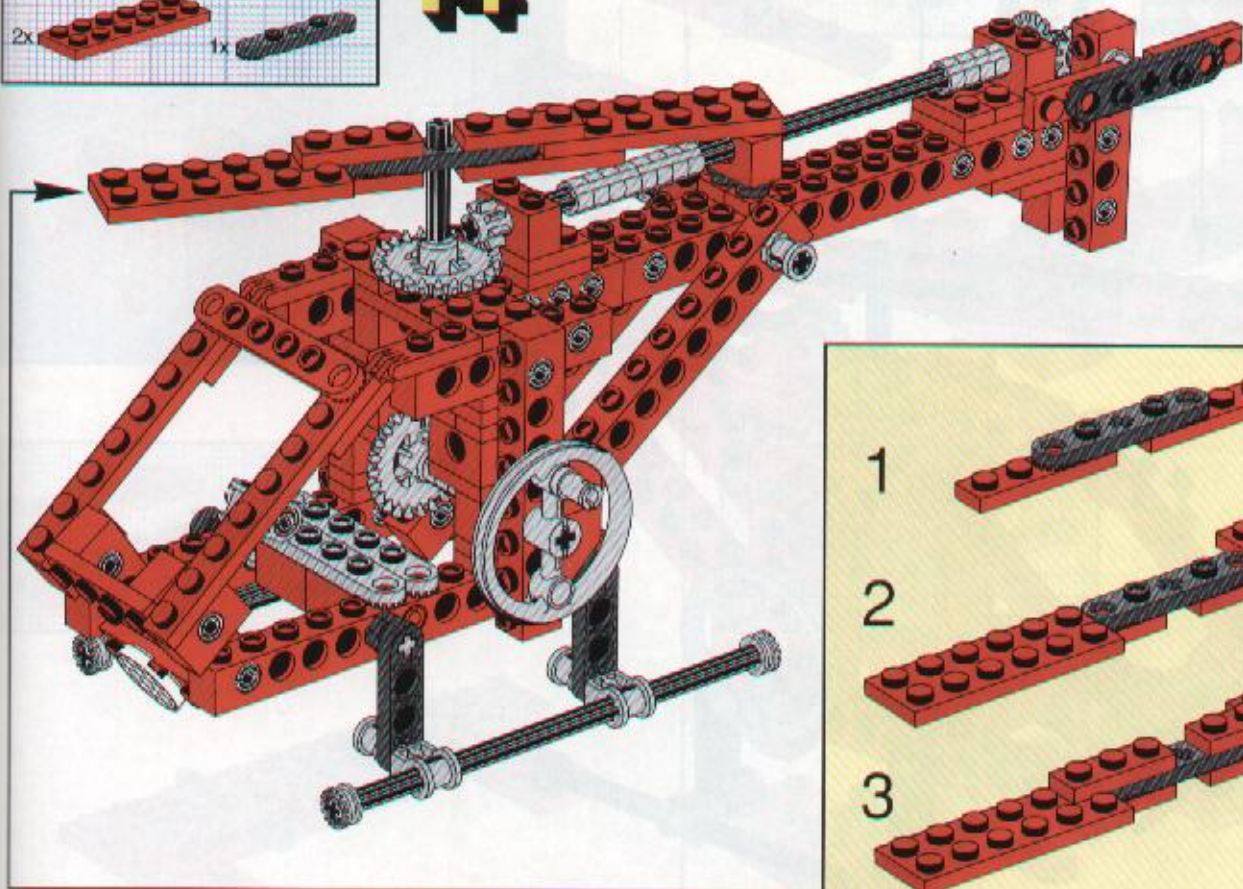
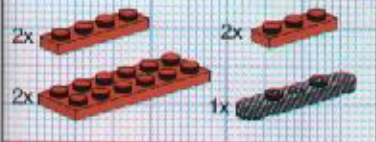


# 13

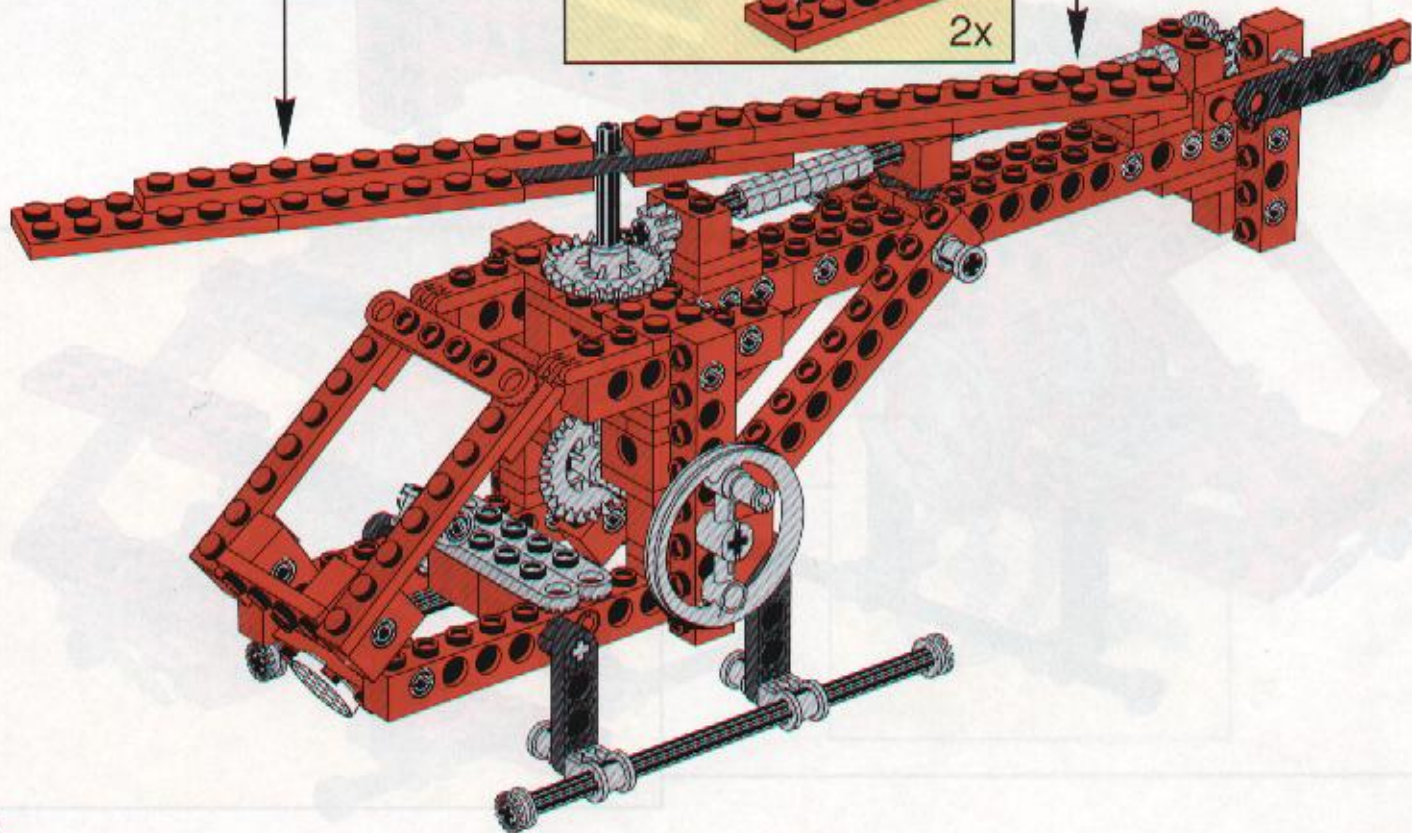
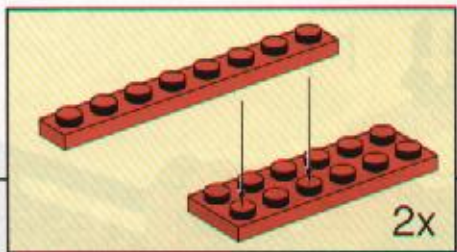




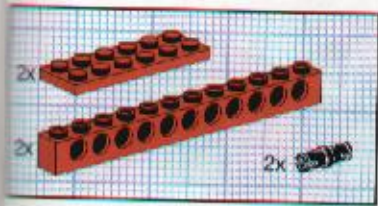
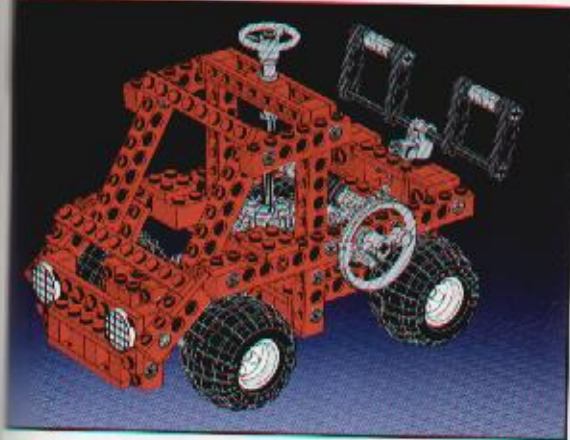
# 14



# 15



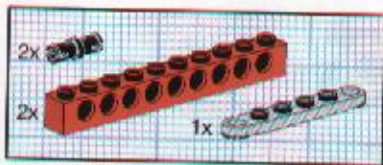
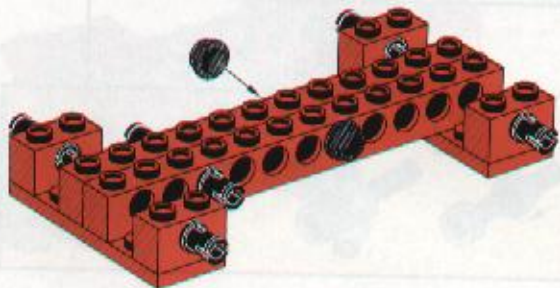




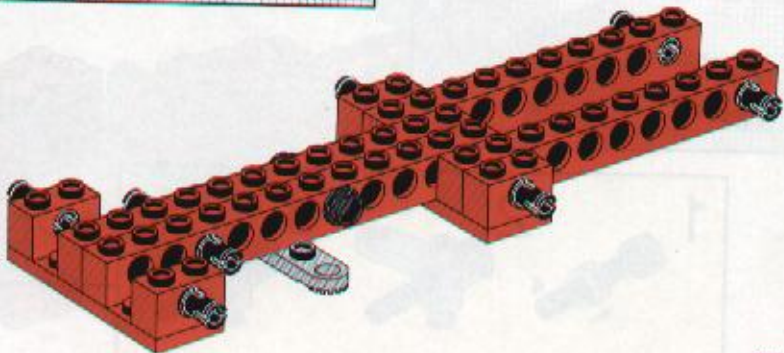
1

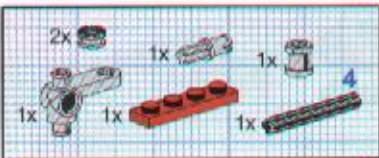


2

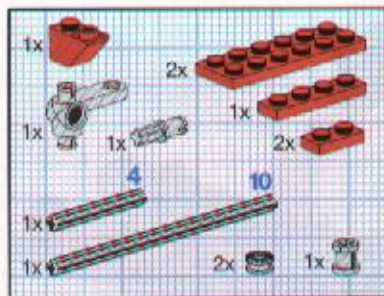
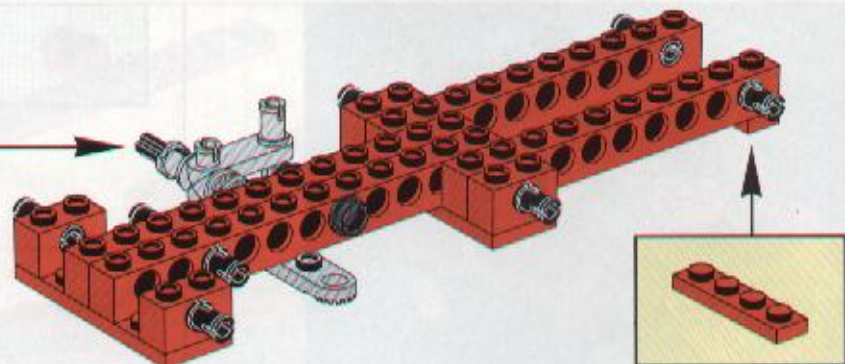


3

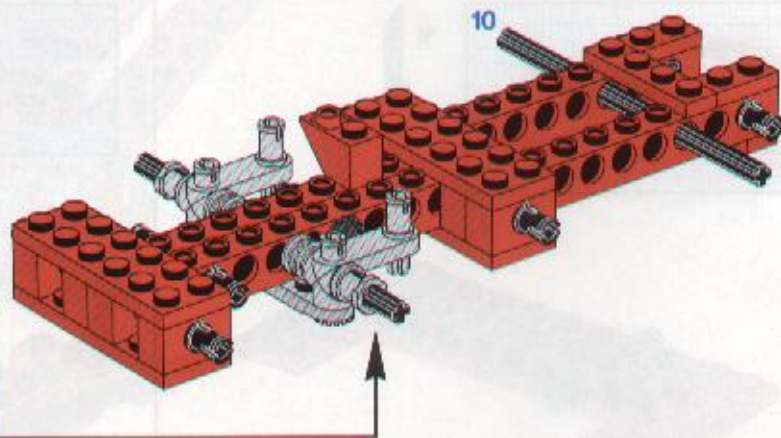




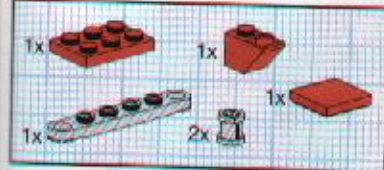
4



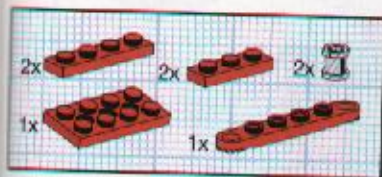
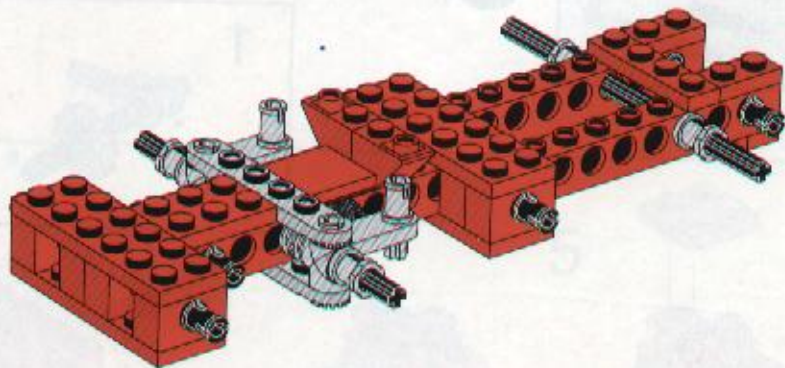
5



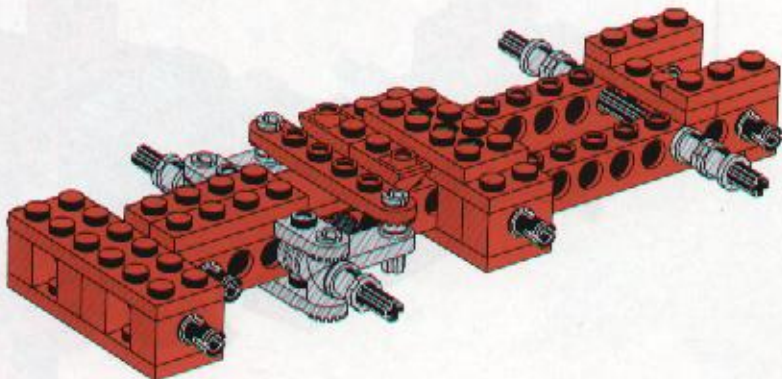




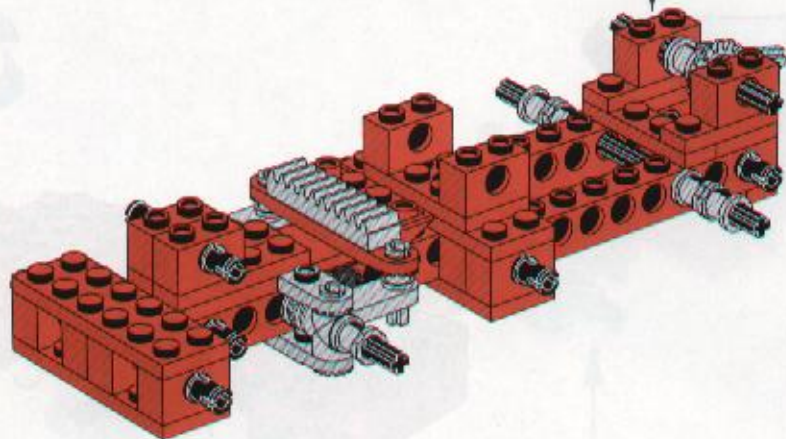
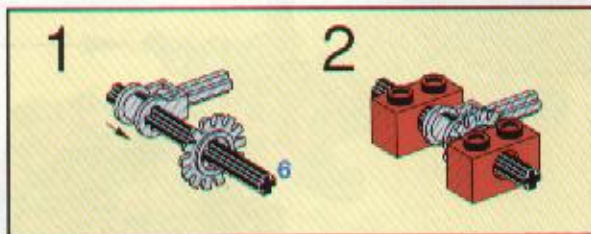
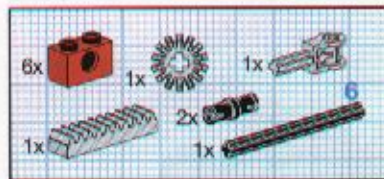
6



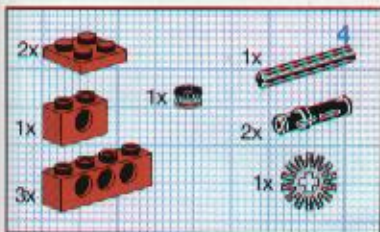
7



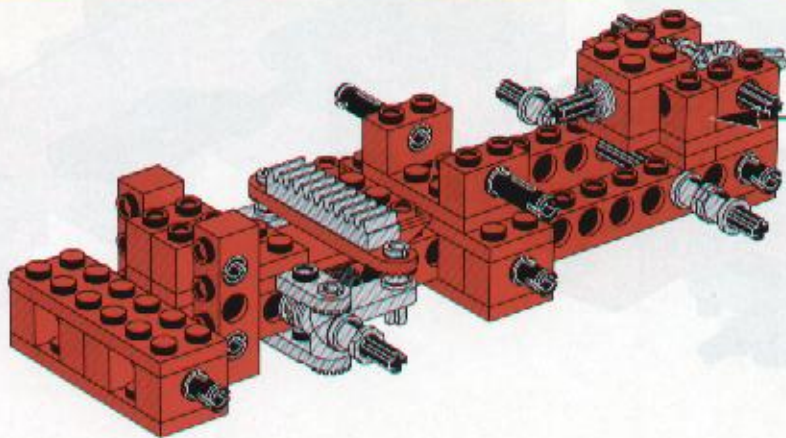
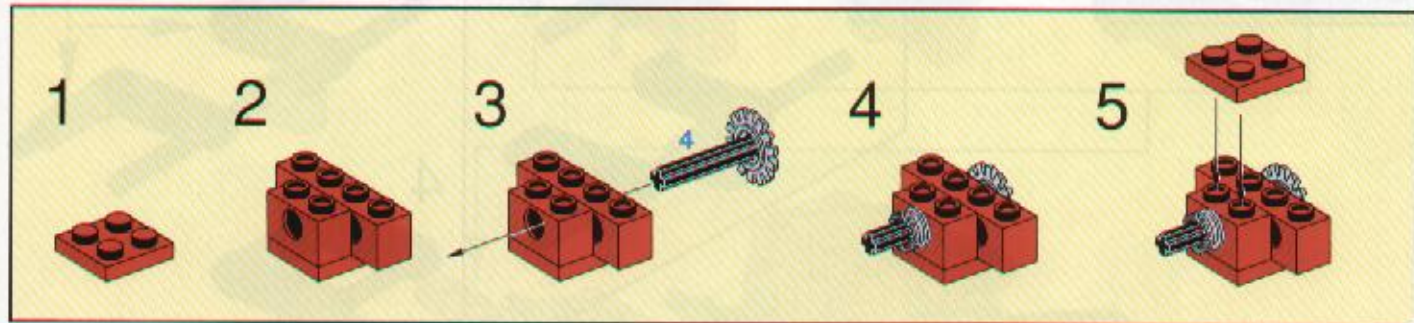
# 8



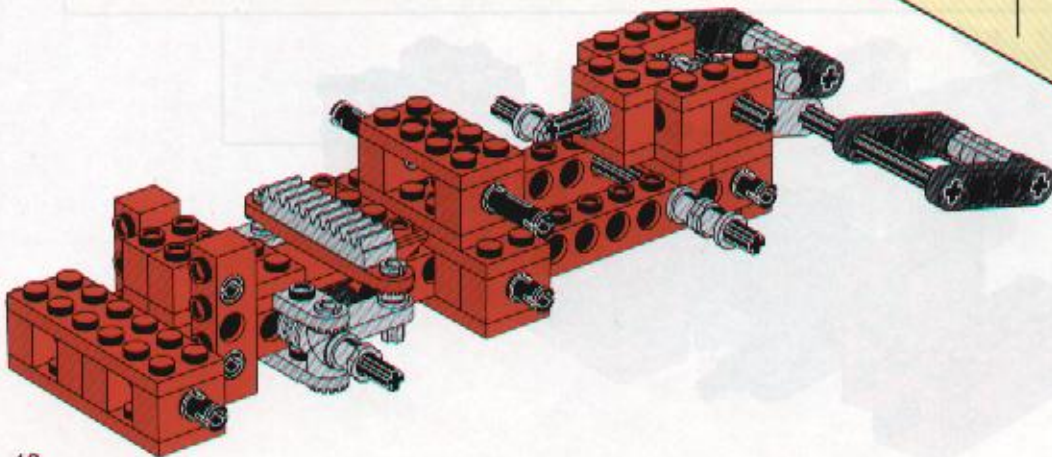
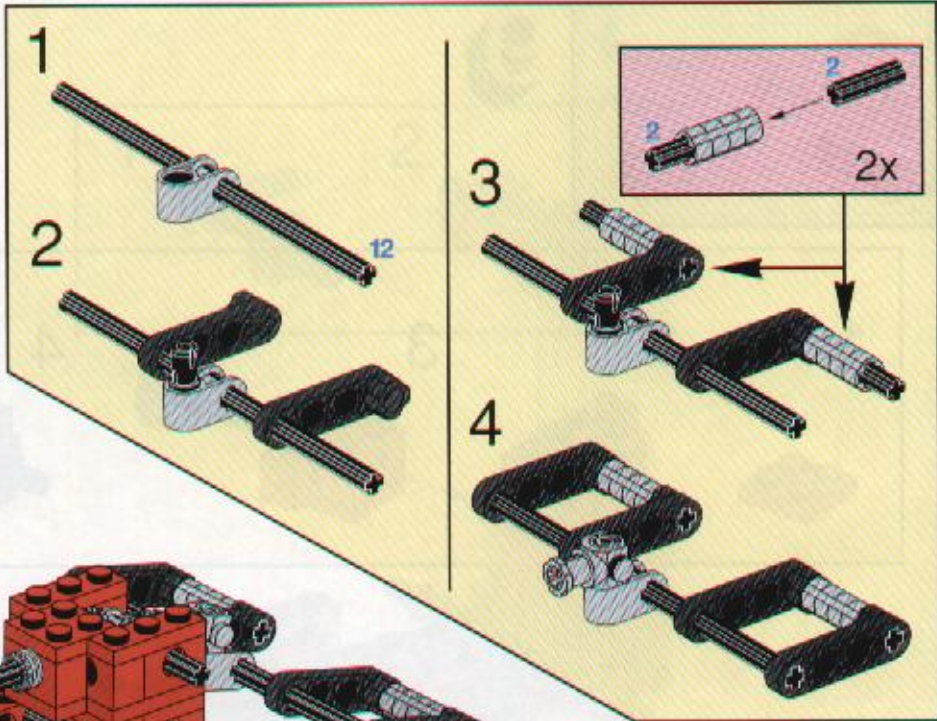
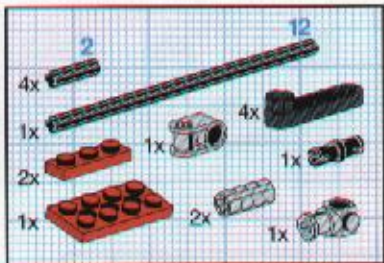




9

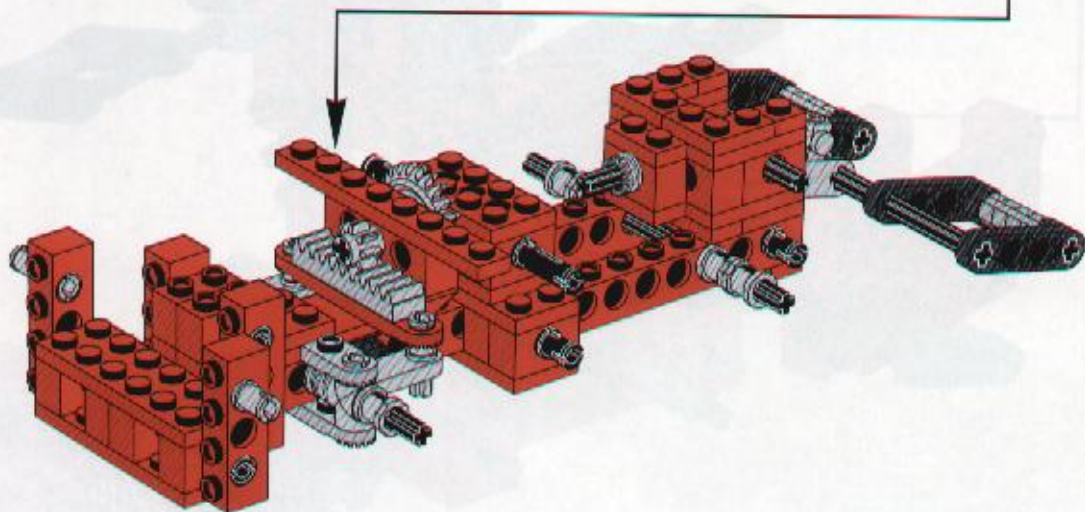
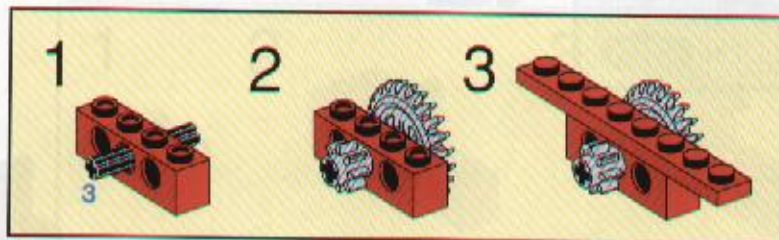
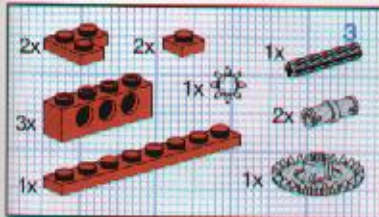


# 10

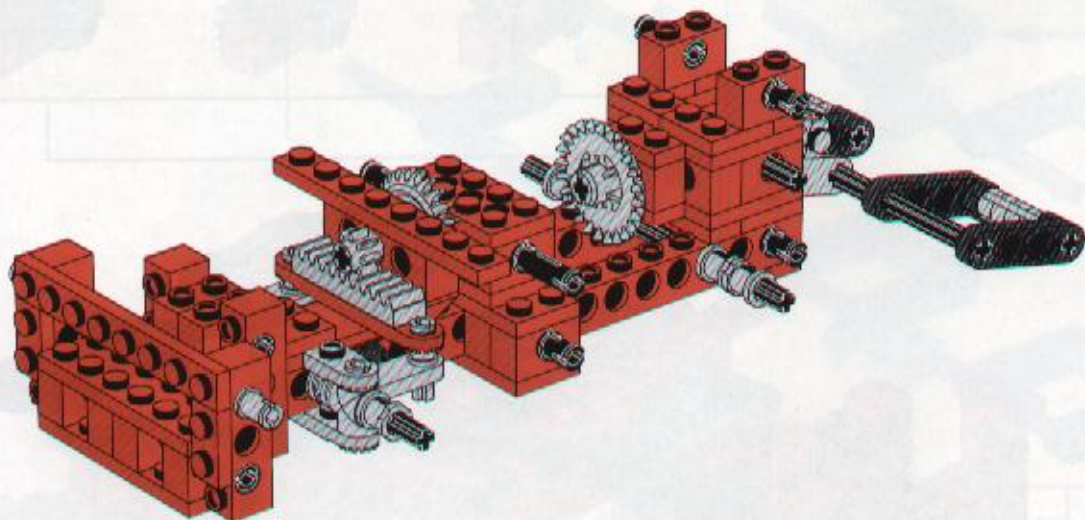
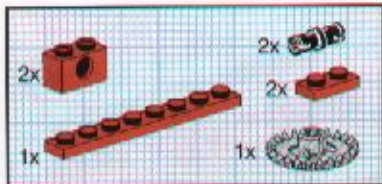




# 11

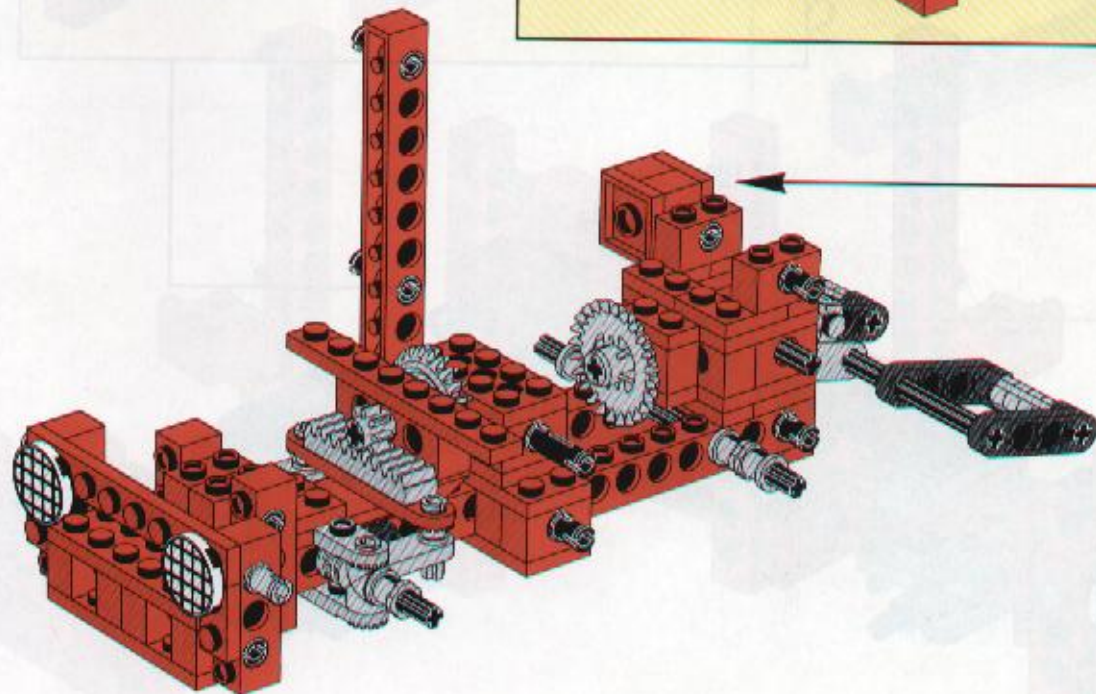
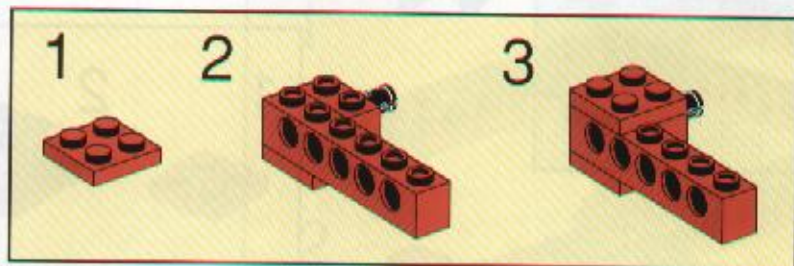
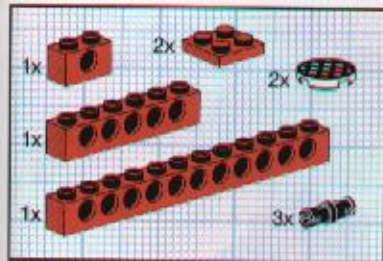


# 12

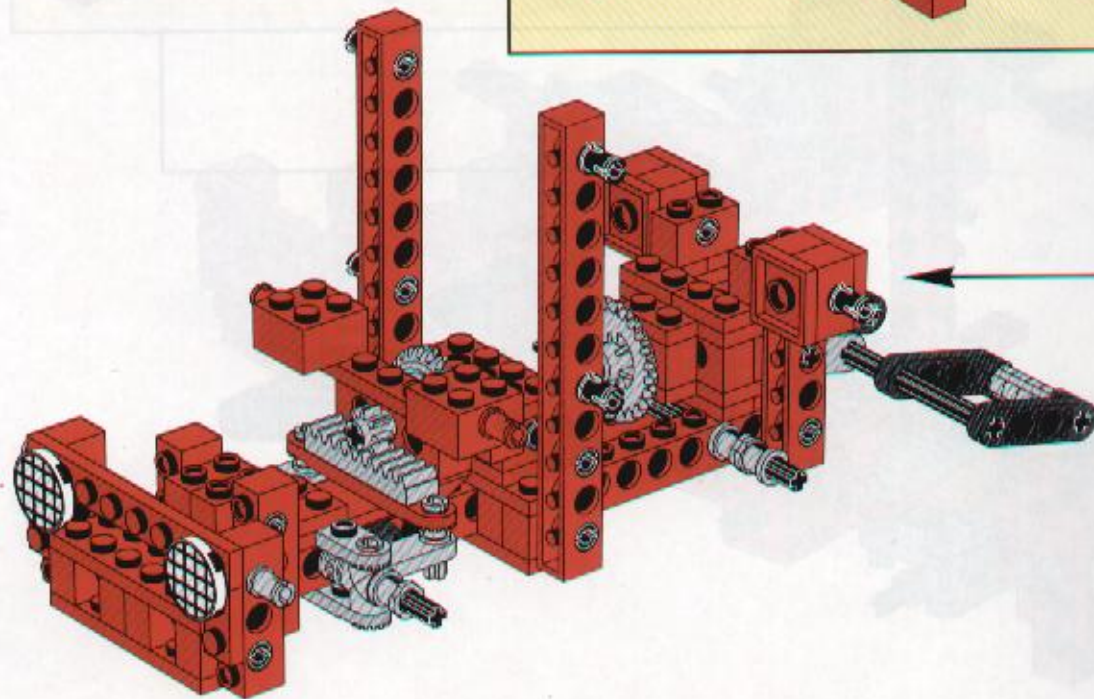
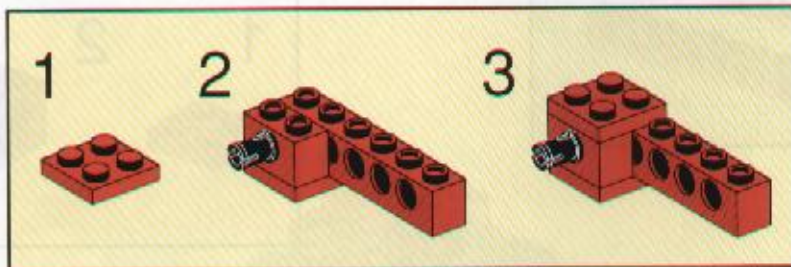
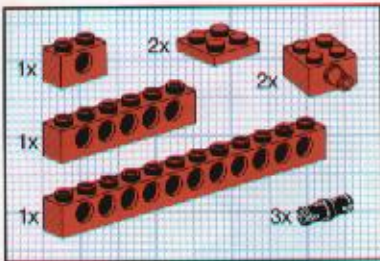




# 13

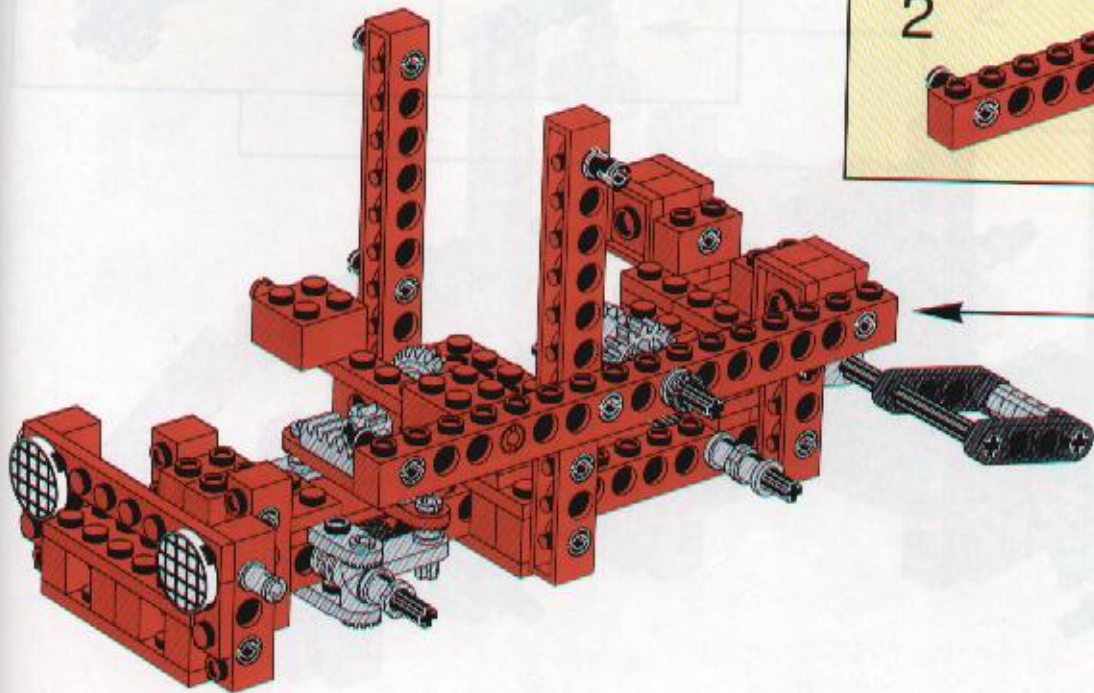
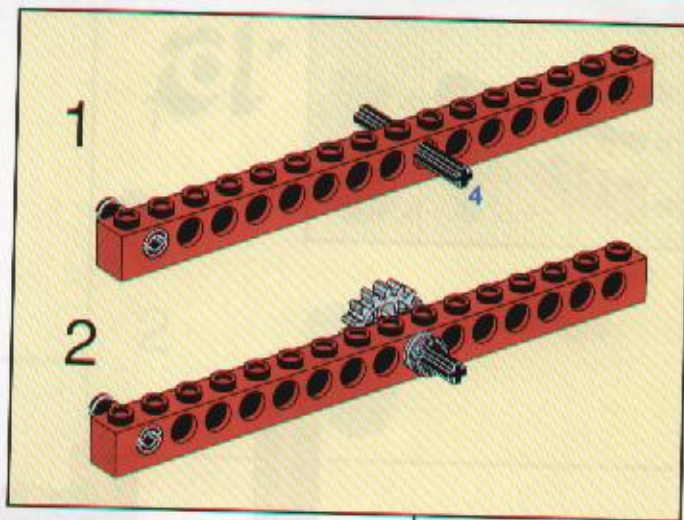
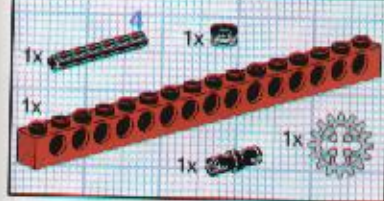


# 14





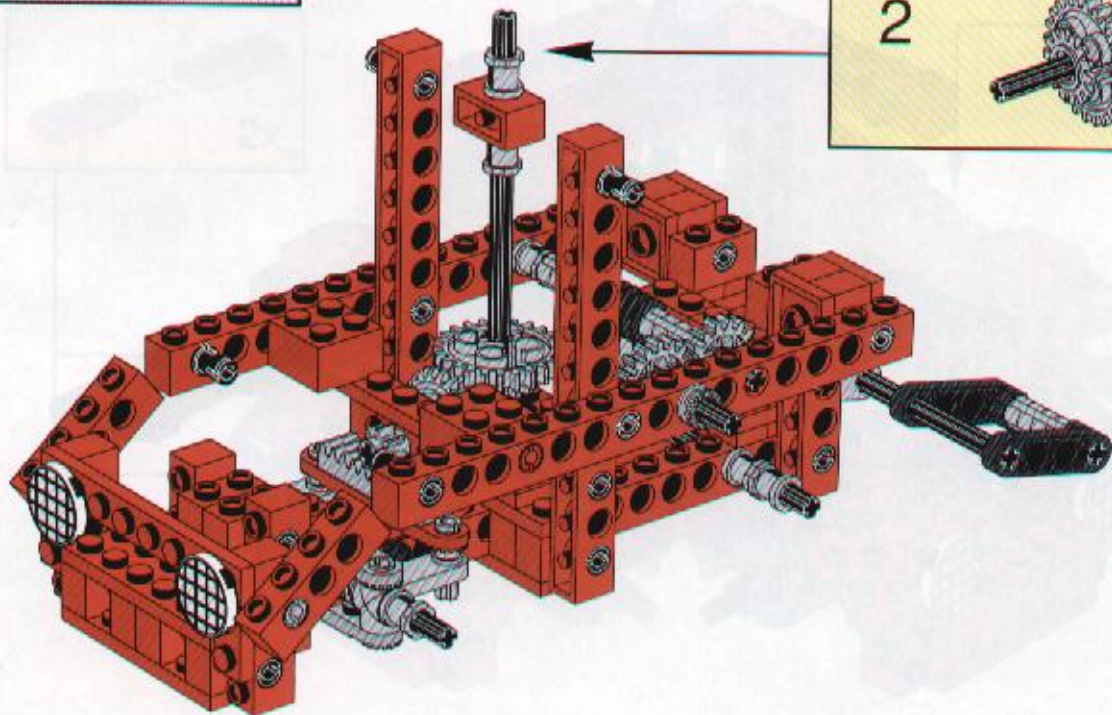
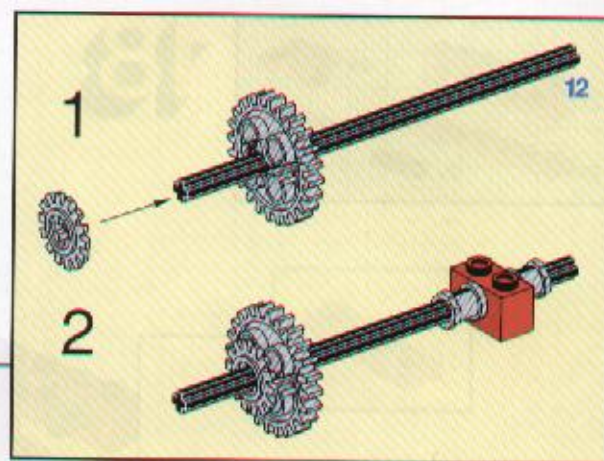
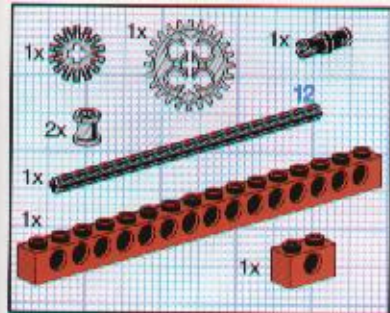
# 15



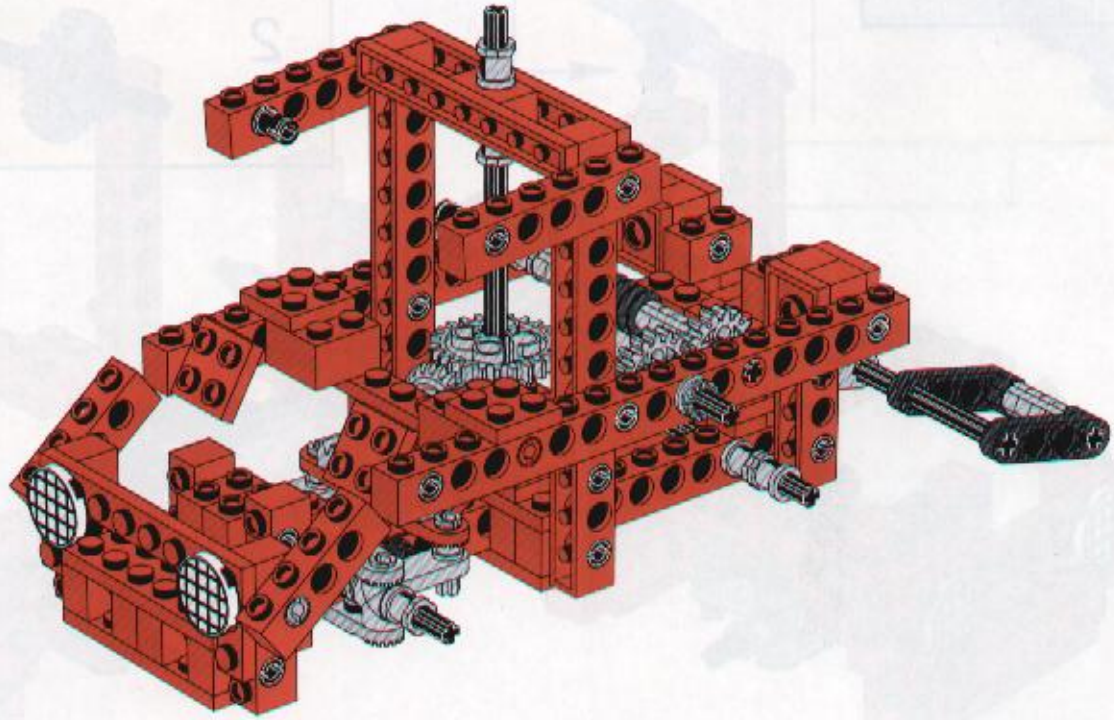
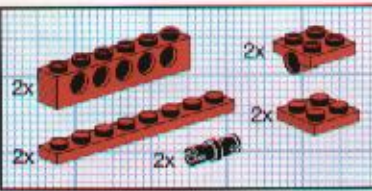




# 17

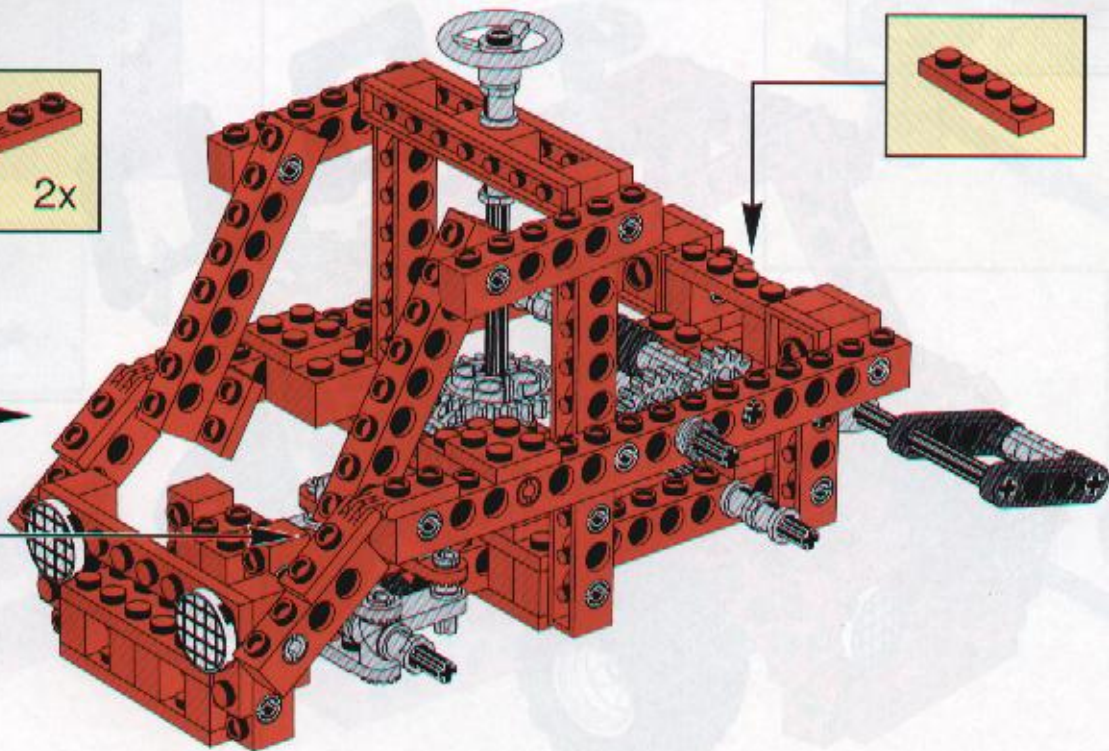
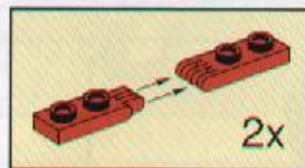
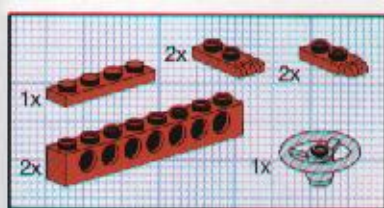


# 18

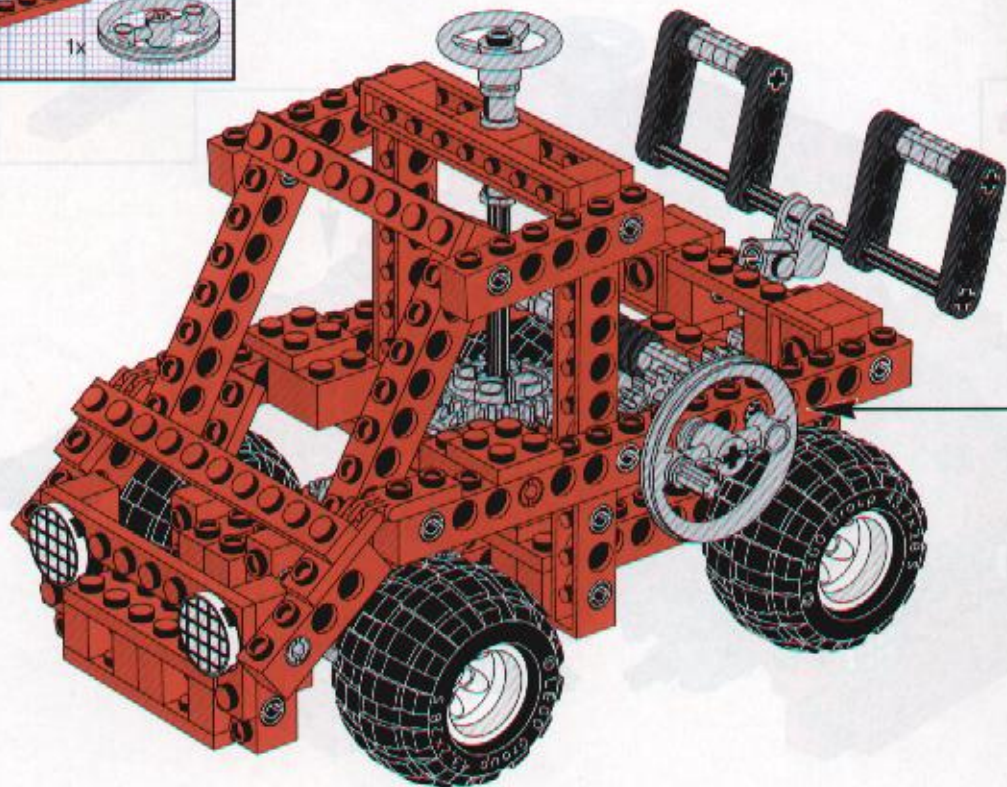
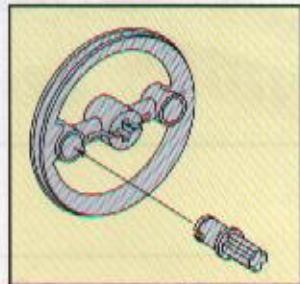
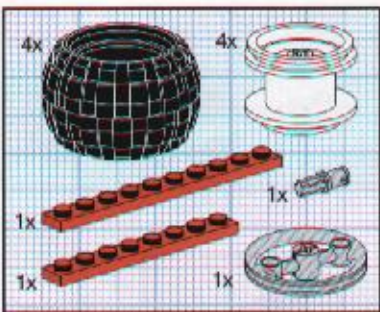




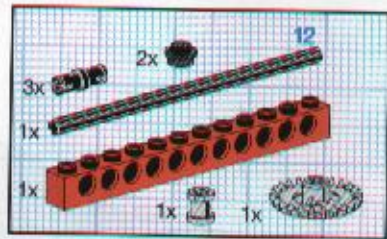
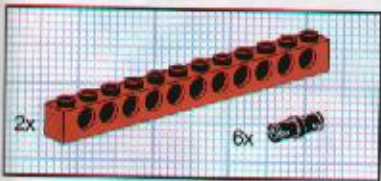
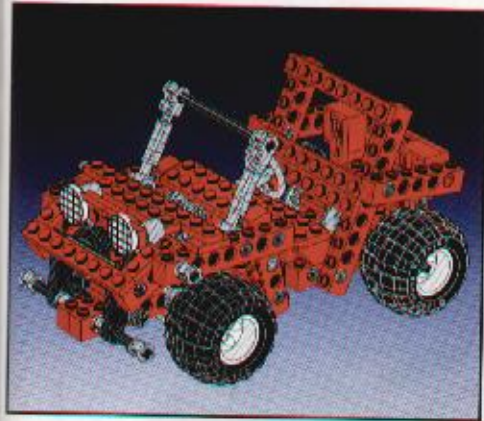
# 19



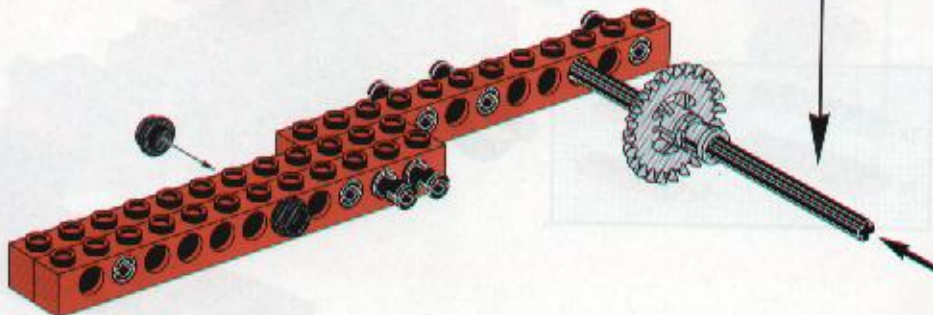
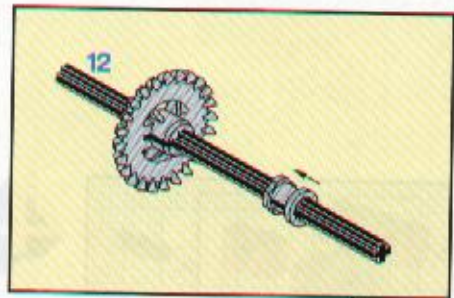
# 20

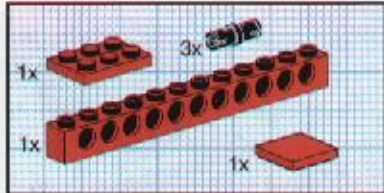




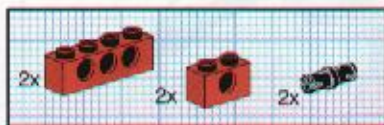
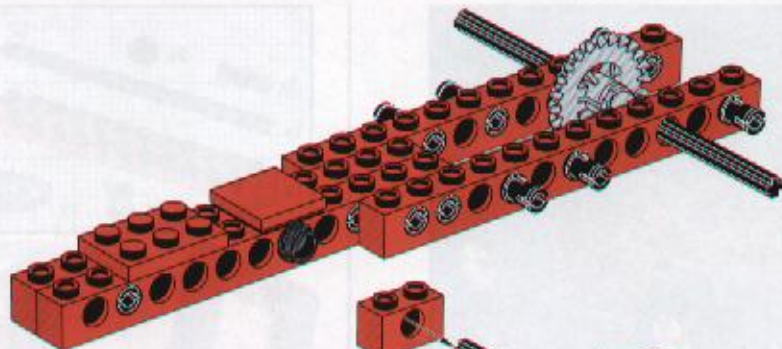


2

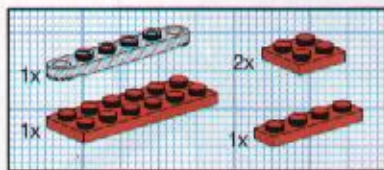
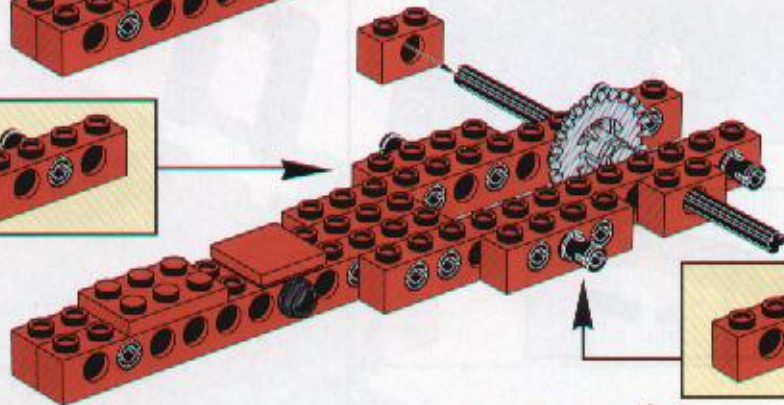




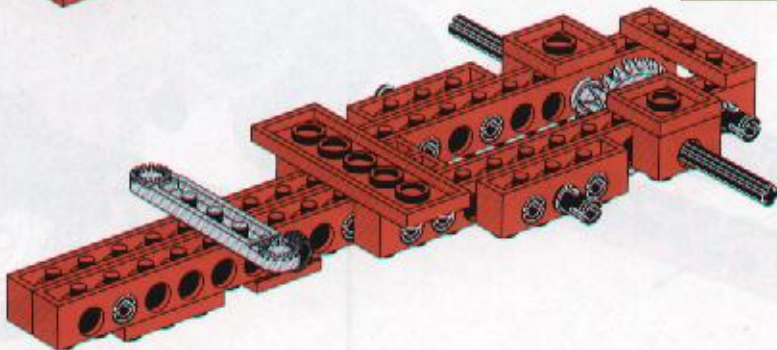
3



4



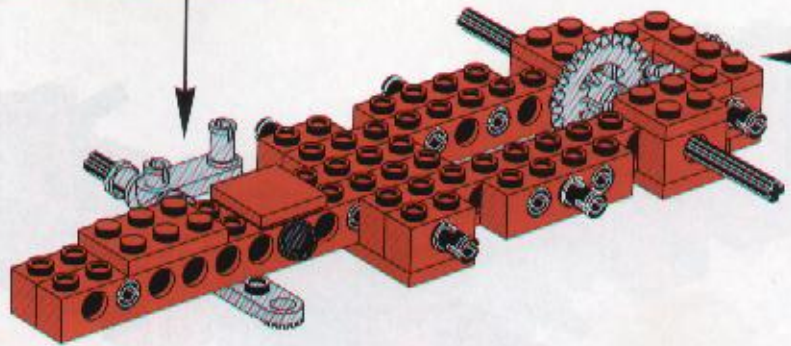
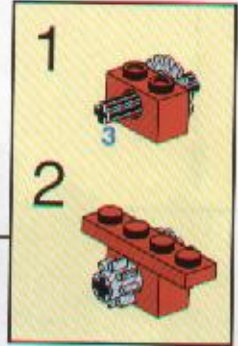
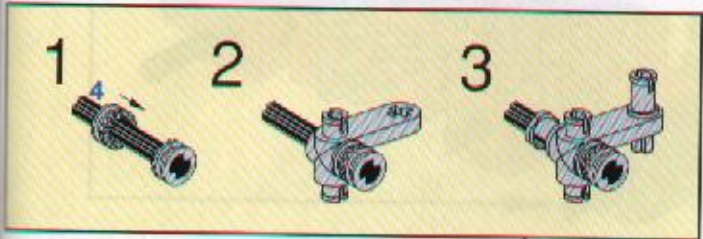
5

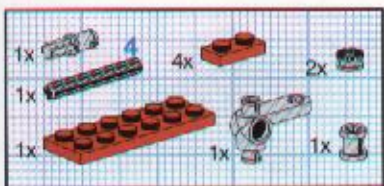




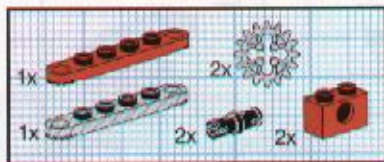
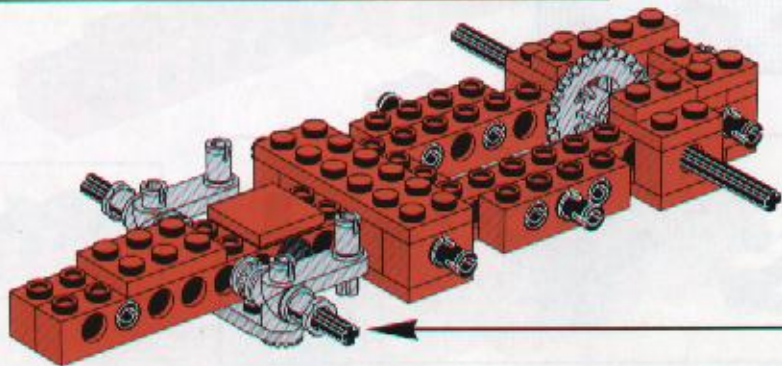
# 6

- 1x [Small grey bush]
- 1x [Grey axle]
- 2x [Red bush]
- 1x [Grey axle with hole]
- 2x [Grey axle]
- 1x [Grey axle with hole]
- 1x [Grey axle with hole]
- 1x [Grey axle with hole]
- 1x [Grey axle with hole]
- 1x [Grey axle with hole]
- 3x [Red 2-hole brick]
- 2x [Red 2-hole brick]

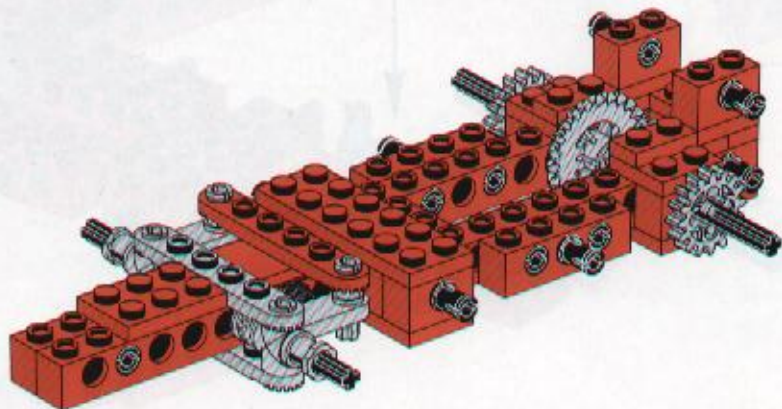




7

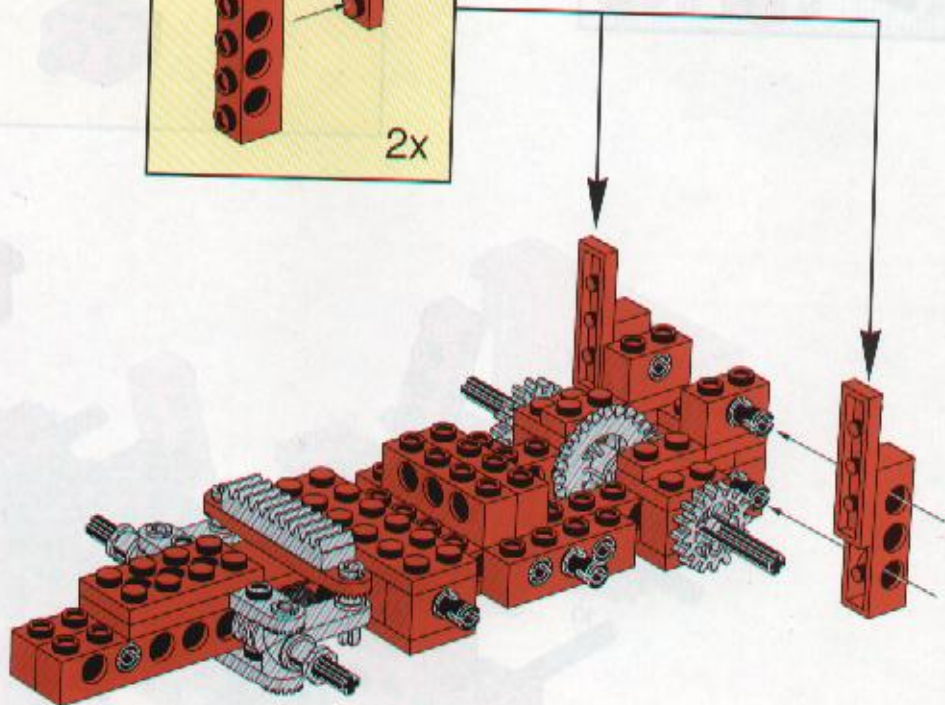
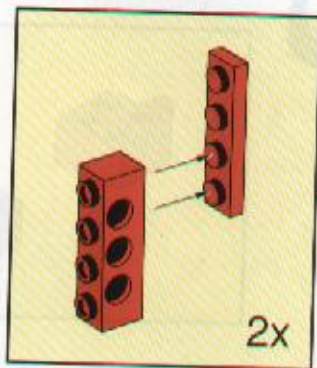
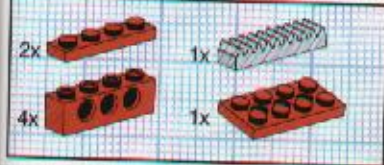


8

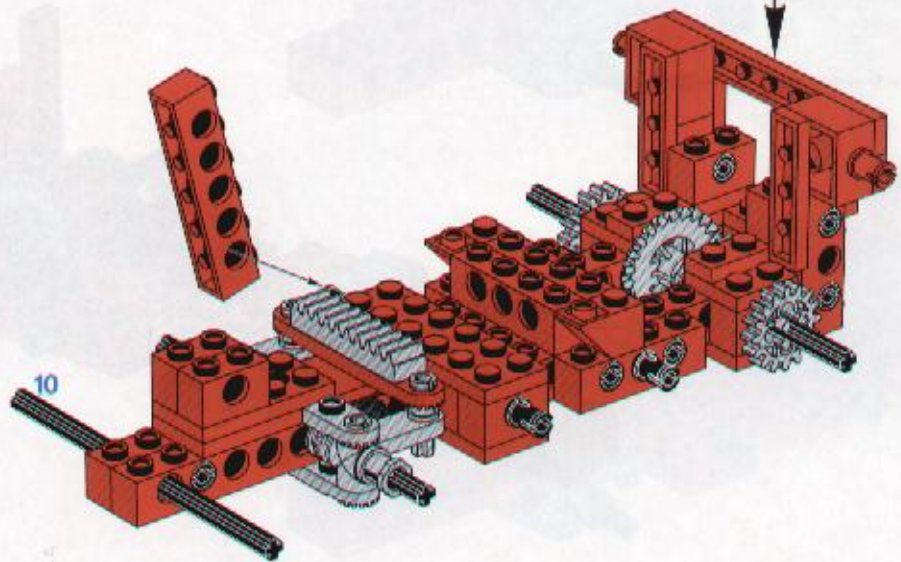
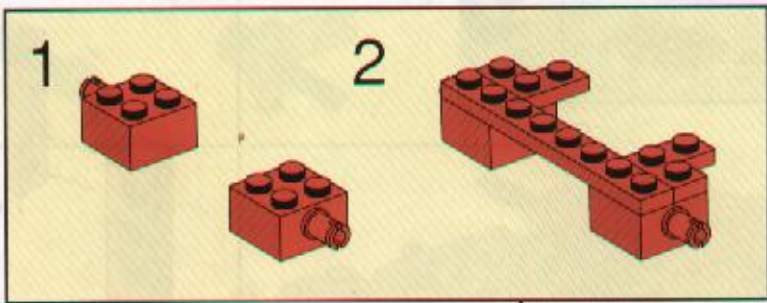
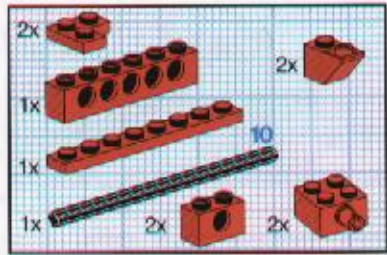




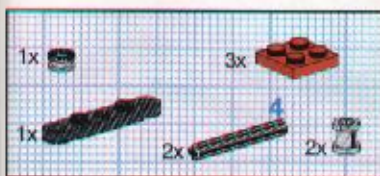
9



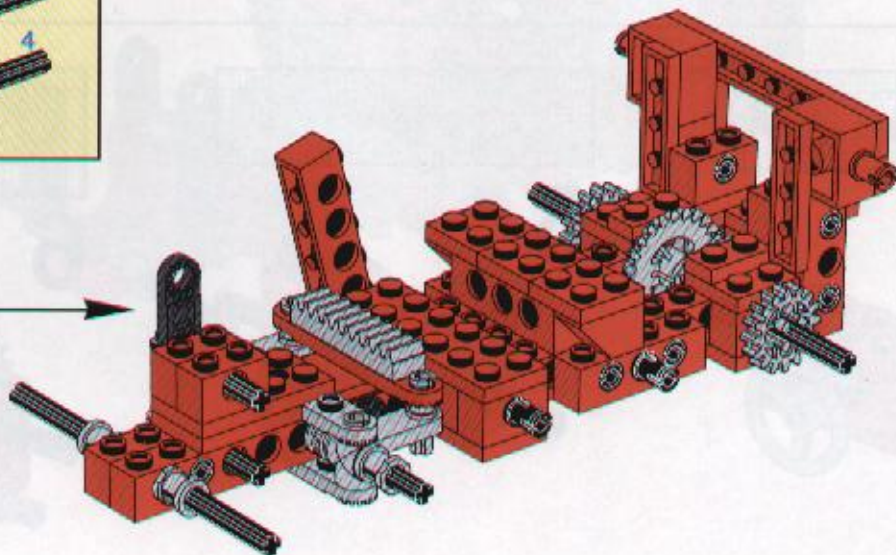
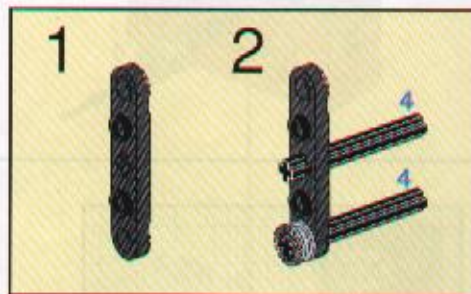
# 10

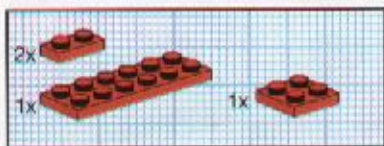






11

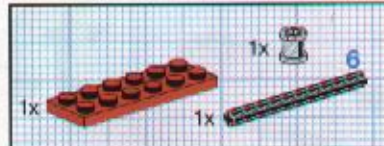
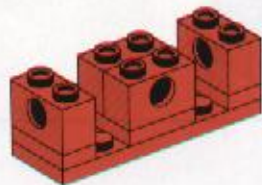




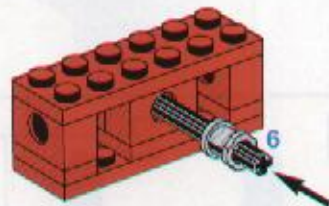
1



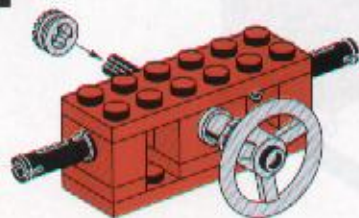
2



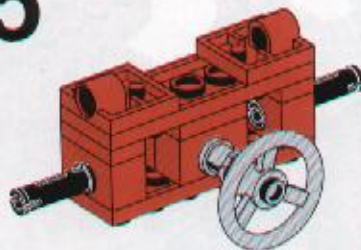
3



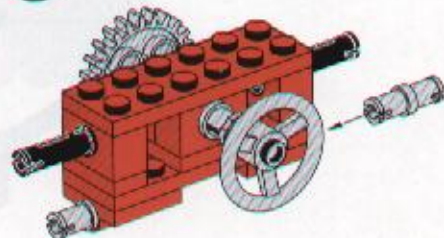
4



5



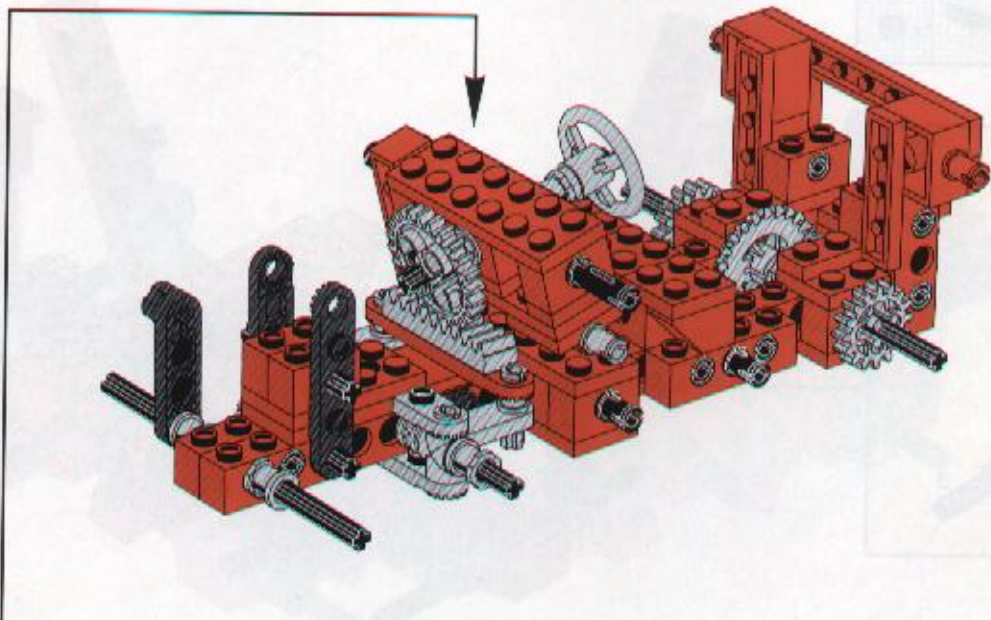
6



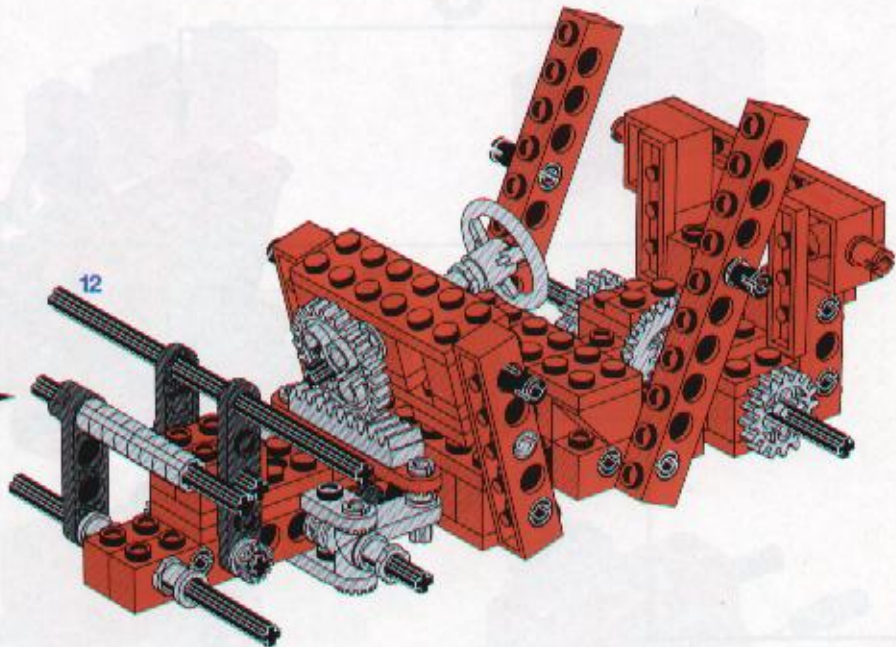
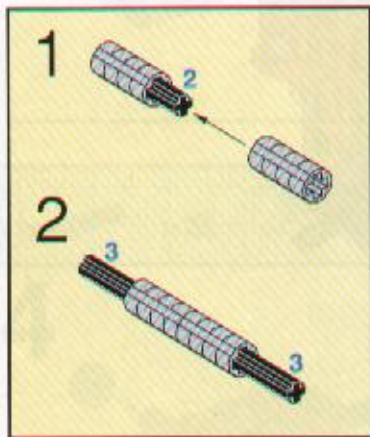
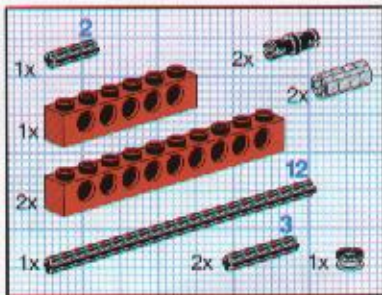




# 12



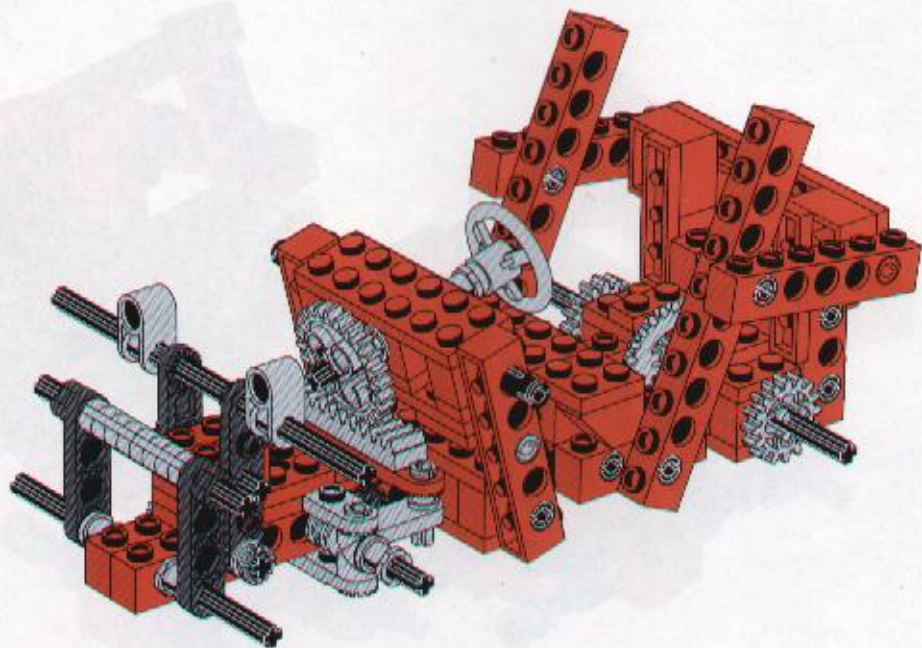
# 13

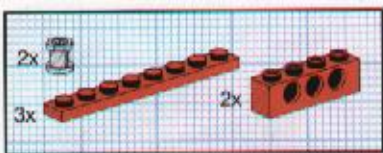




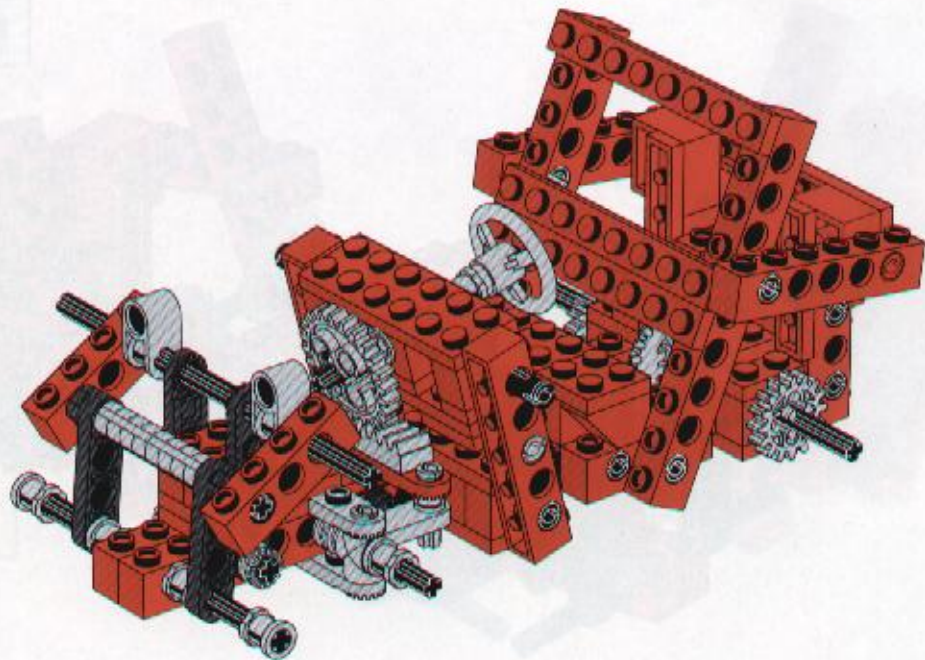


14



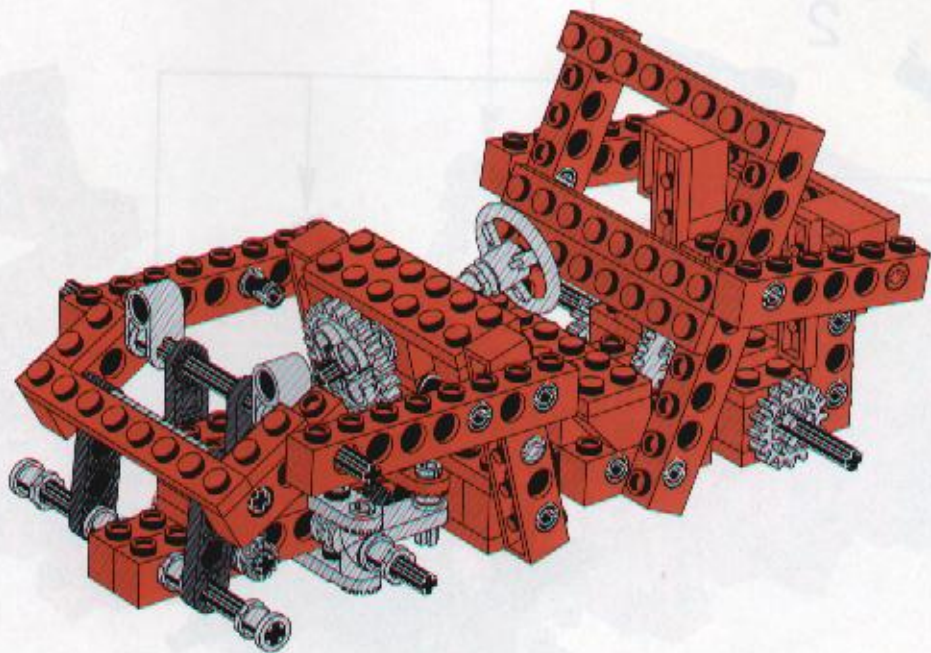
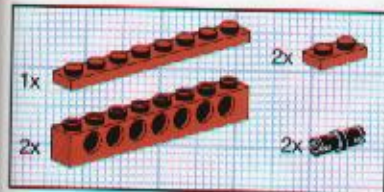


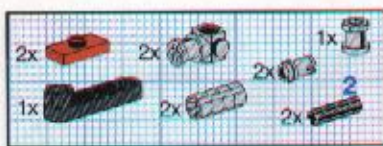
# 15



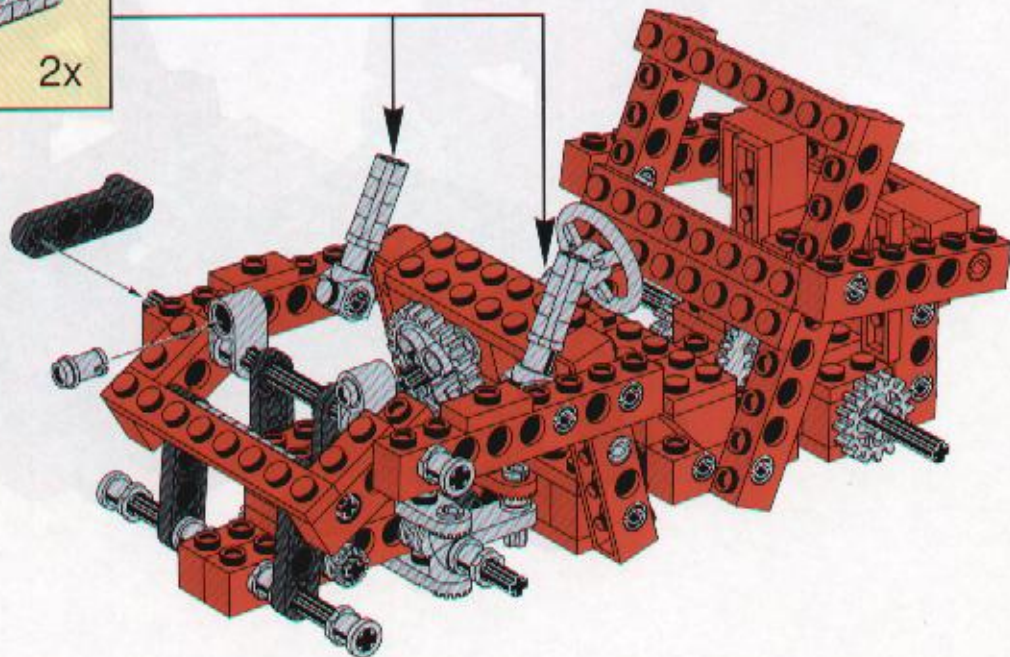
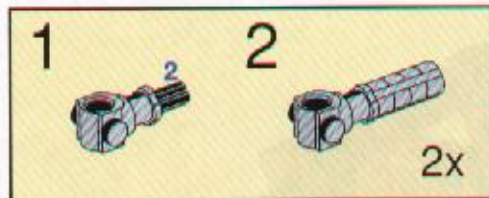


# 16



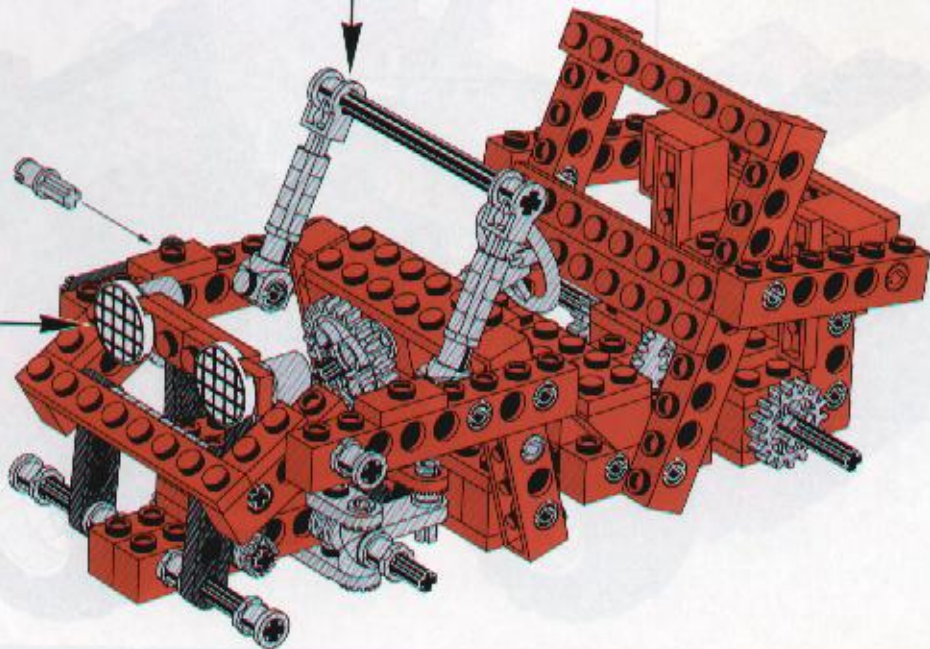
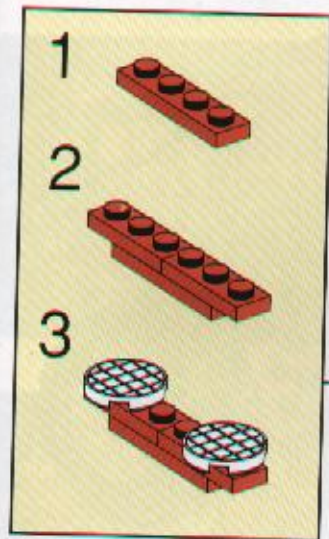
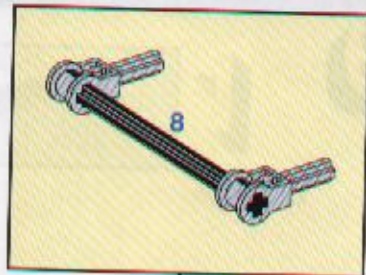
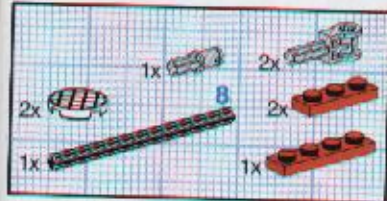


# 17

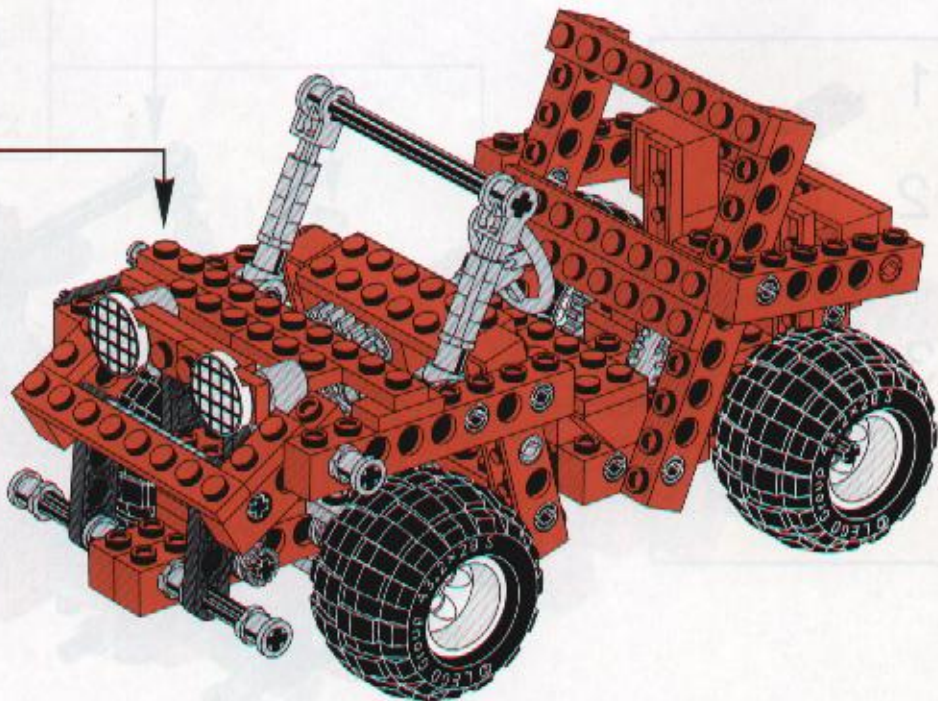
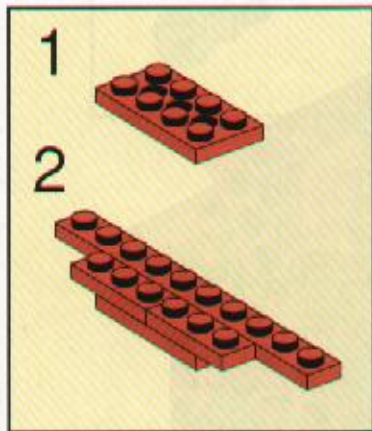
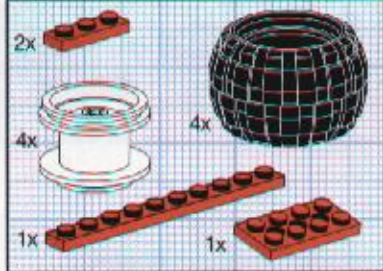




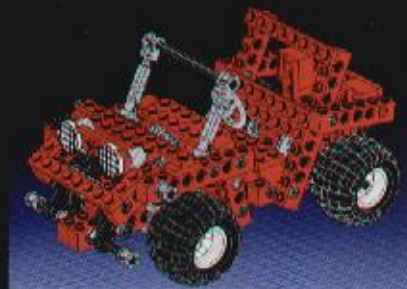
# 18



# 19



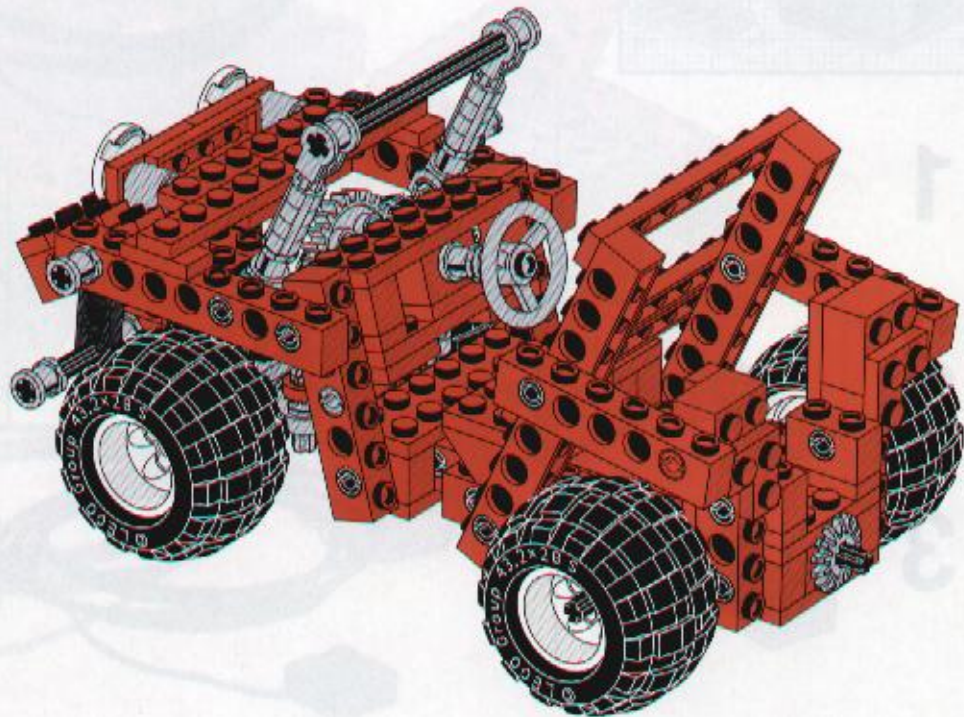
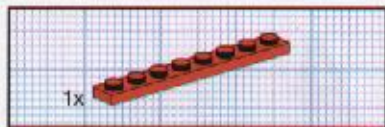




+



=



8032+8720

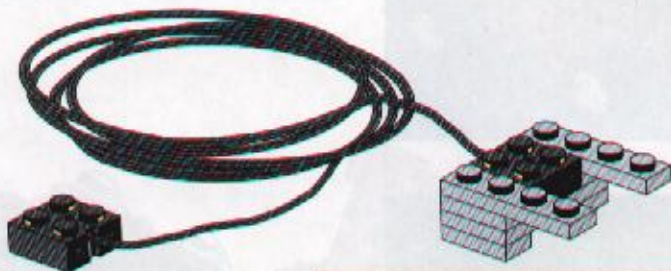
8032+8720



2



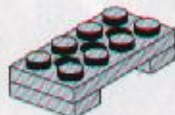
4



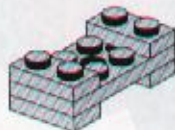
1



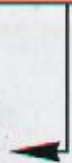
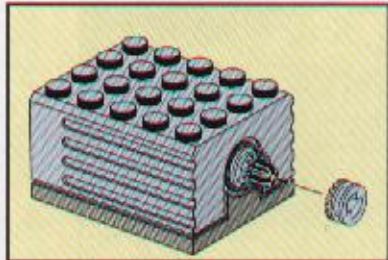
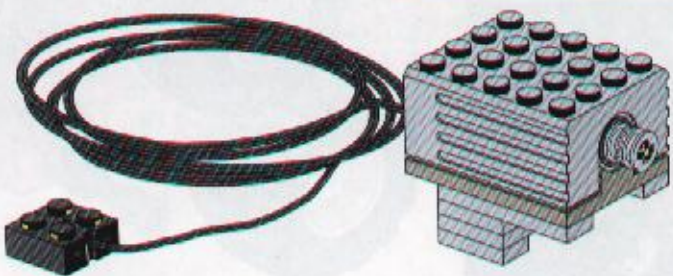
2



3

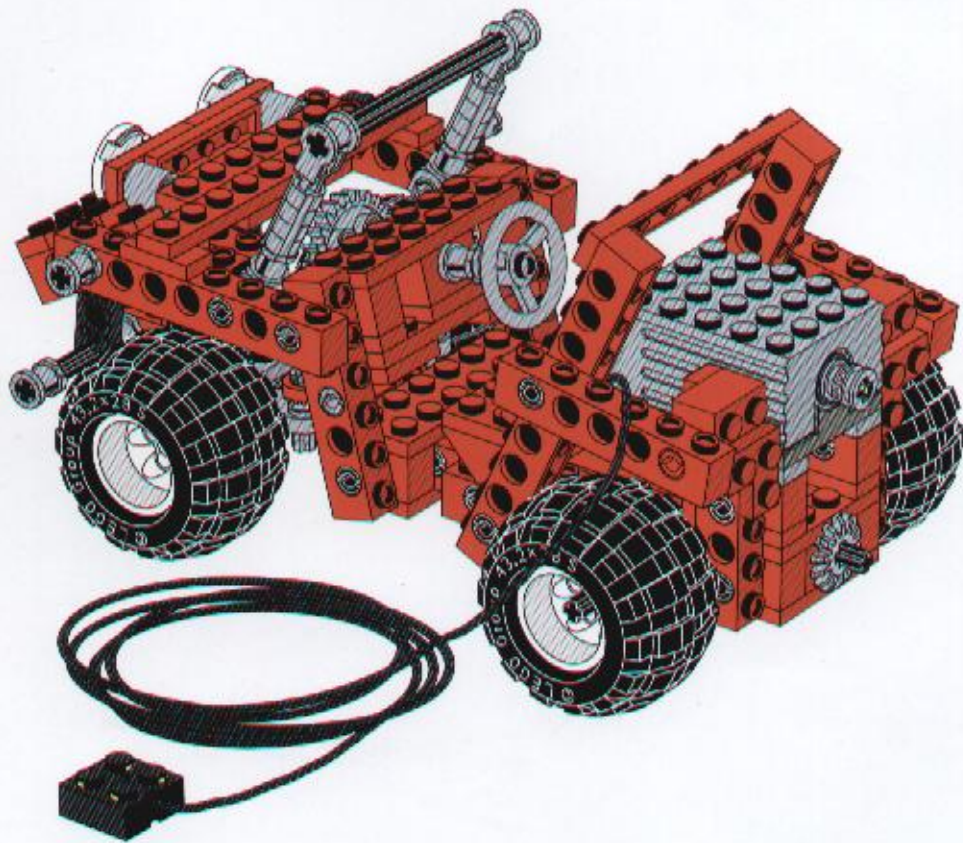


5





8032+8720



8032+8720



3

